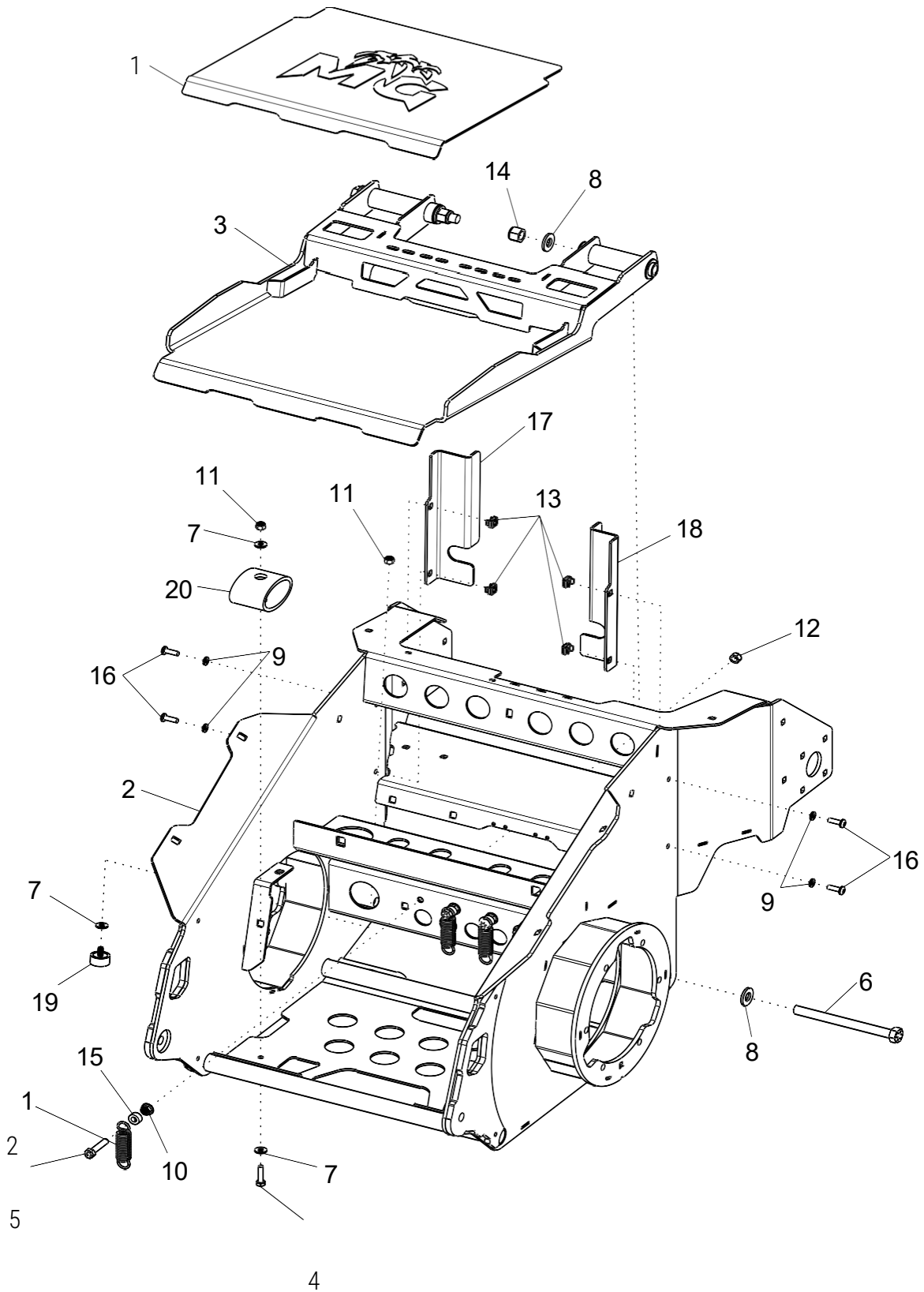


FURY PARTS MANUAL

Contents

Operator Platform	PG. 2-3
Cross Stabilizer Mount, Block Off Plate, and Anti-Rollover	PG. 4-5
Frame Rails and Battery Floor	PG. 6-7
Front Lift Arm Assembly	PG. 8-9
Front Wing Beam Assembly	PG. 10-11
Rear Deck Lifts, Main Fuse, & ON/OFF Switch.	PG. 12-13
Deck Lift Assist	PG. 14-15
Fender Assembly	PG. 16-17
Drive Assembly	PG. 18-19
Tower to Chassis	PG. 20-21
Kneepad / Electrical Compartment to Chassis	PG. 22-23
Deck Lift Linkage Assembly	PG. 24-25
Drive Motor Guards	PG. 26-27
Battery Compartment	PG. 28-29
Hoods Assembly	PG. 30-31
Deck Stabilizer Assembly	PG. 32-33
32RD Deck Assembly	PG. 34-37
36RD Deck Assembly	PG. 38-41
36SD Deck Assembly	PG. 42-47
Platform Assembly	PG. 48-49
Electronics Compartment	PG. 50-51
Platform Safety Switch Assembly	PG. 52-53
Light Pod Assembly	PG. 54-55
Impulse Drive Assembly	PG. 56-57
Deck Chain Assembly	PG. 58-59
Front Spindle Assembly	PG. 60-61
Tower Assembly	PG. 62-67
Deck Lift Lever Assembly	PG. 68-69
Left Hand Control Assembly	PG. 70-71
Right Hand Control Assembly.	PG. 72-73
Charge Port Assembly	PG. 74-75
Control Panel Assembly	PG. 76-77
Service Parts.	PG. 78

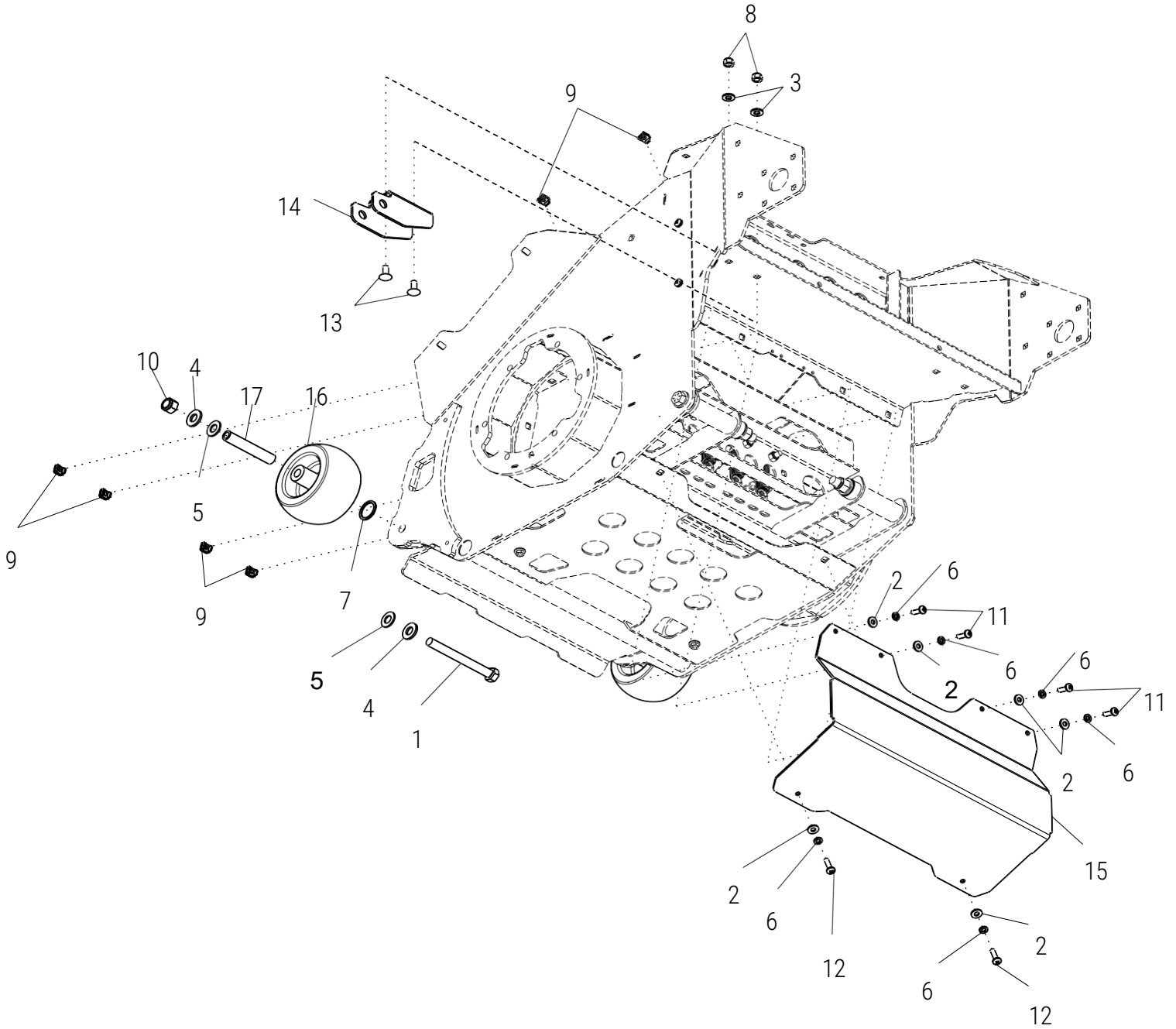
OPERATOR PLATFORM



OPERATOR PLATFORM

ITEM	PART#	QTY.	DESCRIPTION
1	A0003243683	1	SSO OPERATOR PLATFORM ANTI-SKID MAT
2	AMGSS001	1	WDMT-FURY BACK END
3	AMGSS015	1	ASSY-PLATFORM FURY
4	MGHDW102	2	HCS, 1/4-20 x 1, FT, YZ
5	MGHDW112	4	HCS, 5/16-18 x 1-1/2, PT, YZ
6	MGHDW154-2	2	HCS, 1/2-13 x 5-3/4, PT, YZ
7	MGHDW200	6	WASHER, 1/4 SAE FLAT, YZ
8	MGHDW210	4	WASHER, 1/2 SAE, FLAT, YZ
9	MGHDW213-1	4	WASHER, 1/4 MED SPLIT, LOCK, Z
10	MGHDW300	4	NUT, 5/16-18, SERR FLANGE, YZ
11	MGHDW303	4	NUT, 1/4-20, NYLOCK, YZ
12	MGHDW304	4	NUT, 5/16-18, NYLOCK, YZ
13	MGHDW315	4	NUT, 1/4"-20, CAGE NUT, Z
14	MGHDW320	2	NUT, 1/2-13, NYLOCK, YZ
15	MGHDW400	4	SPACERS, 5/16 ID x 5/8 OD x 5/16 W, Z
16	MGHDW507	4	MS, 1/4-20 x 3/4, PPH, 18-8 S/S DEBRIS
17	MGSSO081-LH	1	BLOCKER PLATE
18	MGSSO081-RH	1	DEBRIS BLOCKER PLATE
19	MGUPN121	2	MGUPN121.SLDPRT
20	MGUPN393-01	2	PLATFORM BUMPER OUTER GBR-7
21	MGUPN477	4	SPRING, Z, 3.125 LONG, 0.75 OD

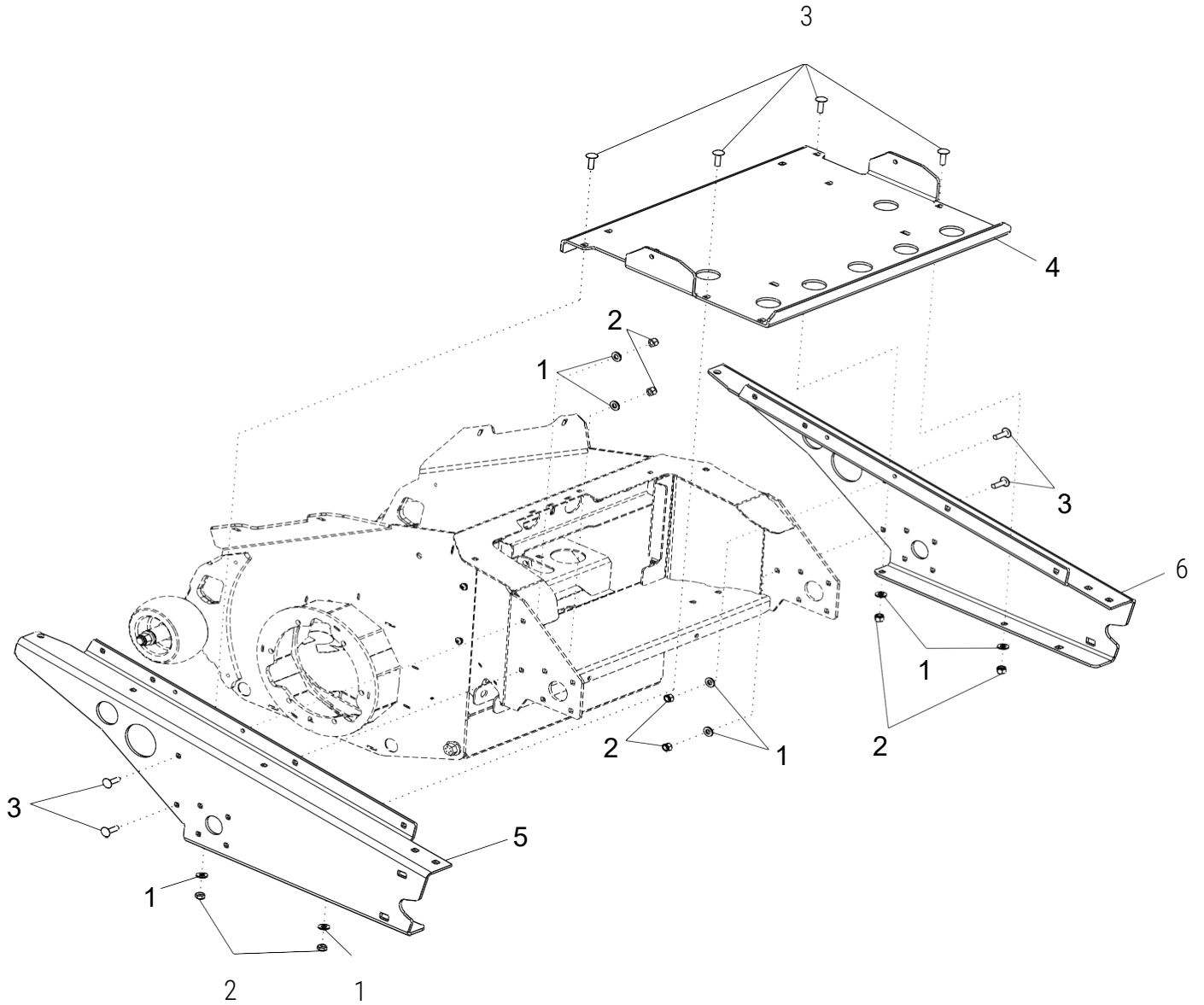
CROSS STABILIZER MOUNT, BLOCK OFF PLATE, & ANTI-ROLLOVER



CROSS STABILIZER MOUNT, BLOCK OFF PLATE, & ANTI-ROLLOVER

ITEM	PART#	QTY.	DESCRIPTION
1	MGHDW153-1	2	HCS, 1/2-13 x 4-3/4, PT, YZ
2	MGHDW200-1	6	WASHER, 1/4 SAE, FLAT, Z
3	MGHDW201-1	2	WASHER, 5/16 SAE, FLAT, Z
4	MGHDW210	4	WASHER, 1/2 SAE, FLAT, YZ
5	MGHDW211	4	WASHER, 1/2 ID x 1 OD x 0.08 THK, NYLON
6	MGHDW213-1	6	WASHER, 1/4 MED SPLIT, LOCK, Z
7	MGHDW222	2	WASHER, 1.00 ID x 1.250 OD x 0.070 THK, BLK
8	MGHDW304-1	2	NUT, 5/16-18, NYLOCK, Z
9	MGHDW315	6	NUT, 1/4"-20, CAGE NUT, Z
10	MGHDW320	2	NUT, 1/2-13, NYLOCK, YZ
11	MGHDW507	4	MS, 1/4-20 x 3/4, PPH, 18-8 S/S
12	MGHDW507-1	2	MS, 1/4-20 x 1, PPH, 18-8 S/S
13	MGHDW706	2	CARRIAGE BOLT, 5/16-18 x 3/4, FT, Z
14	MGSS0046	1	SSO DECK AND FRAME STABIL BAR MOUNT
15	MGSS0072	1	SSO BLOCK OFF PLATE
16	MGUPN023	2	ANTI-SCALP WHEEL 5"x2.75"
17	MGUPN511	2	SPANNER 3/8 ID x 5/8 OD x 91 mm

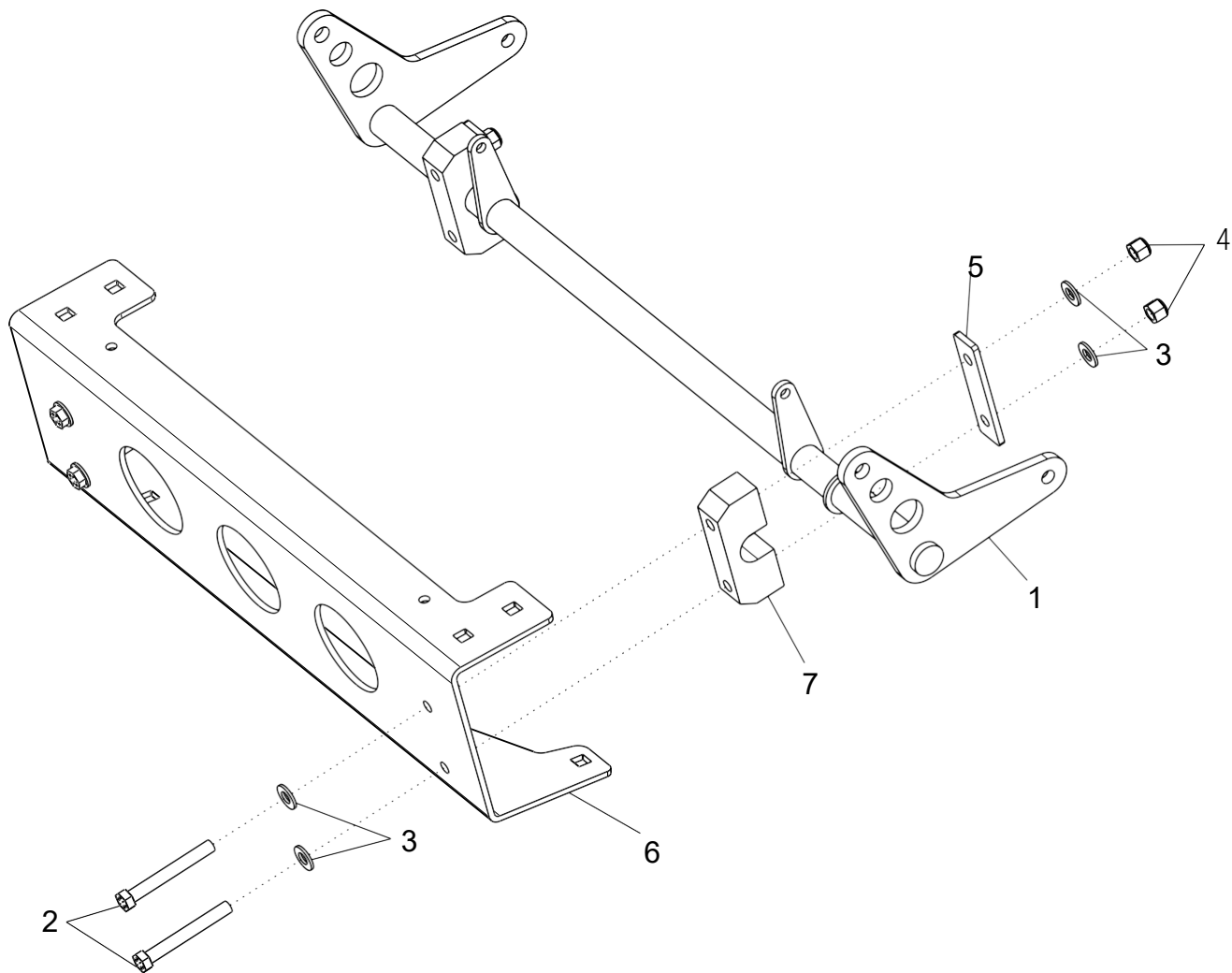
FRAME RAILS & BATTERY FLOOR



FRAME RAILS & BATTERY FLOOR

ITEM	PART#	QTY.	DESCRIPTION
1	MGHDW201-1	8	WASHER, 5/16 SAE, FLAT, Z
2	MGHDW304-1	8	NUT, 5/16-18, NYLOCK, Z
3	MGHDW707	8	CARRIAGE BOLT, 5/16-18 x 1, FT, ZC
4	MGSS0001	1	SSO BATTERY FLOOR
5	MGSS0014-RH	1	SSO FRONT FRAME RAIL-RH
6	MGSS0014-LH	1	SSO FRONT FRAME RAIL-LH

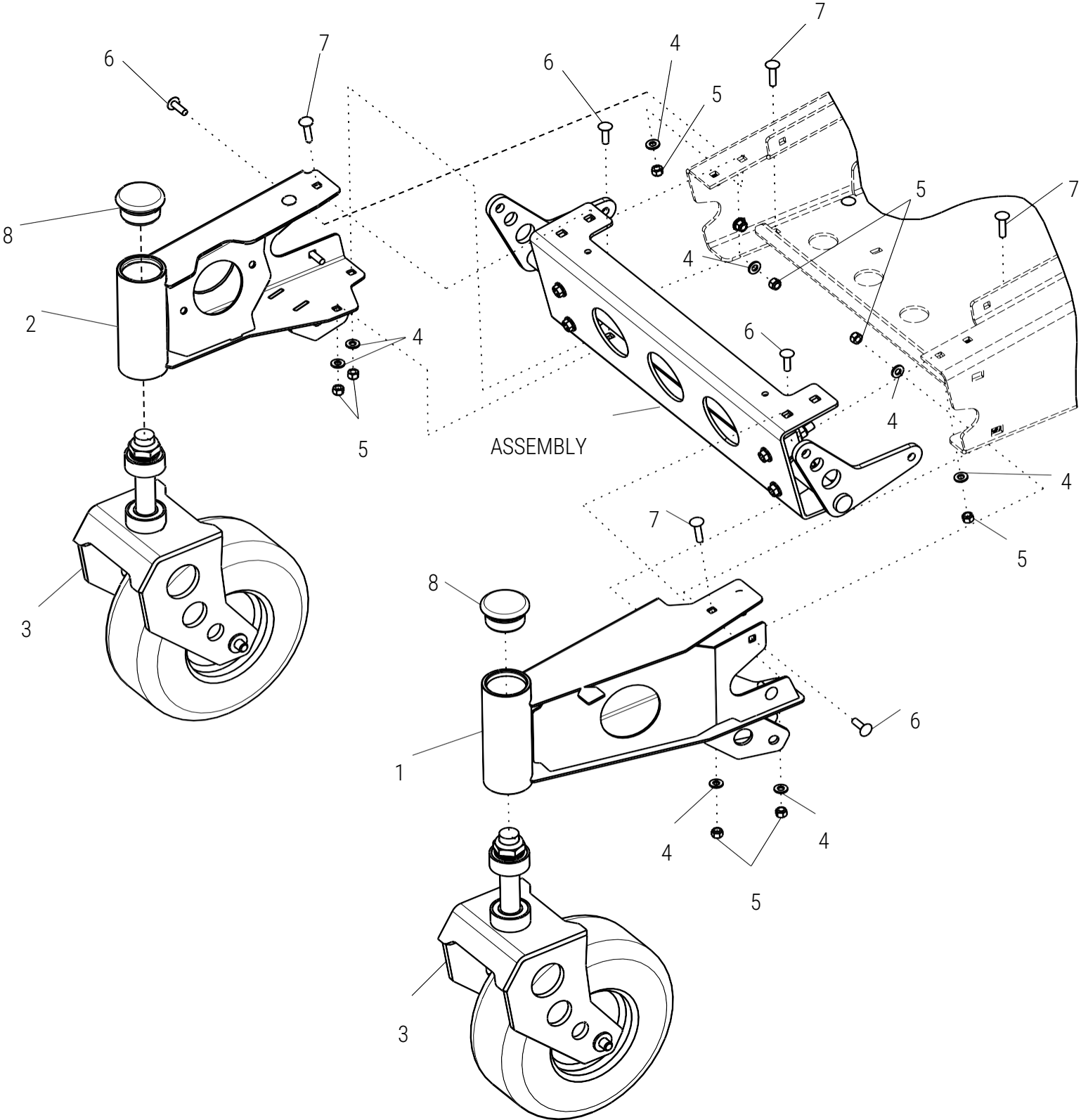
FRONT LIFT ARM ASSEMBLY



FRONT LIFT ARM ASSEMBLY

ITEM	PART#	QTY.	DESCRIPTION
1	AMGSS007	1	WDMT-FURY-FRONT LIFT BAR
2	MGHDW129	4	HCS, 3/8-16 x 3, PT, YZ
3	MGHDW202	8	WASHER, 3/8 SAE, FLAT, YZ
4	MGHDW305	4	NUT, 3/8-16, NYLOCK, YZ
5	MGRVL072	2	REAR PILLOW BLOCK SPACER
6	MGSS0007	1	SSO FRONT BEAM
7	MGUPN086	2	BRACKET-FRONT DECK HEIGHT ADJ MOUNT

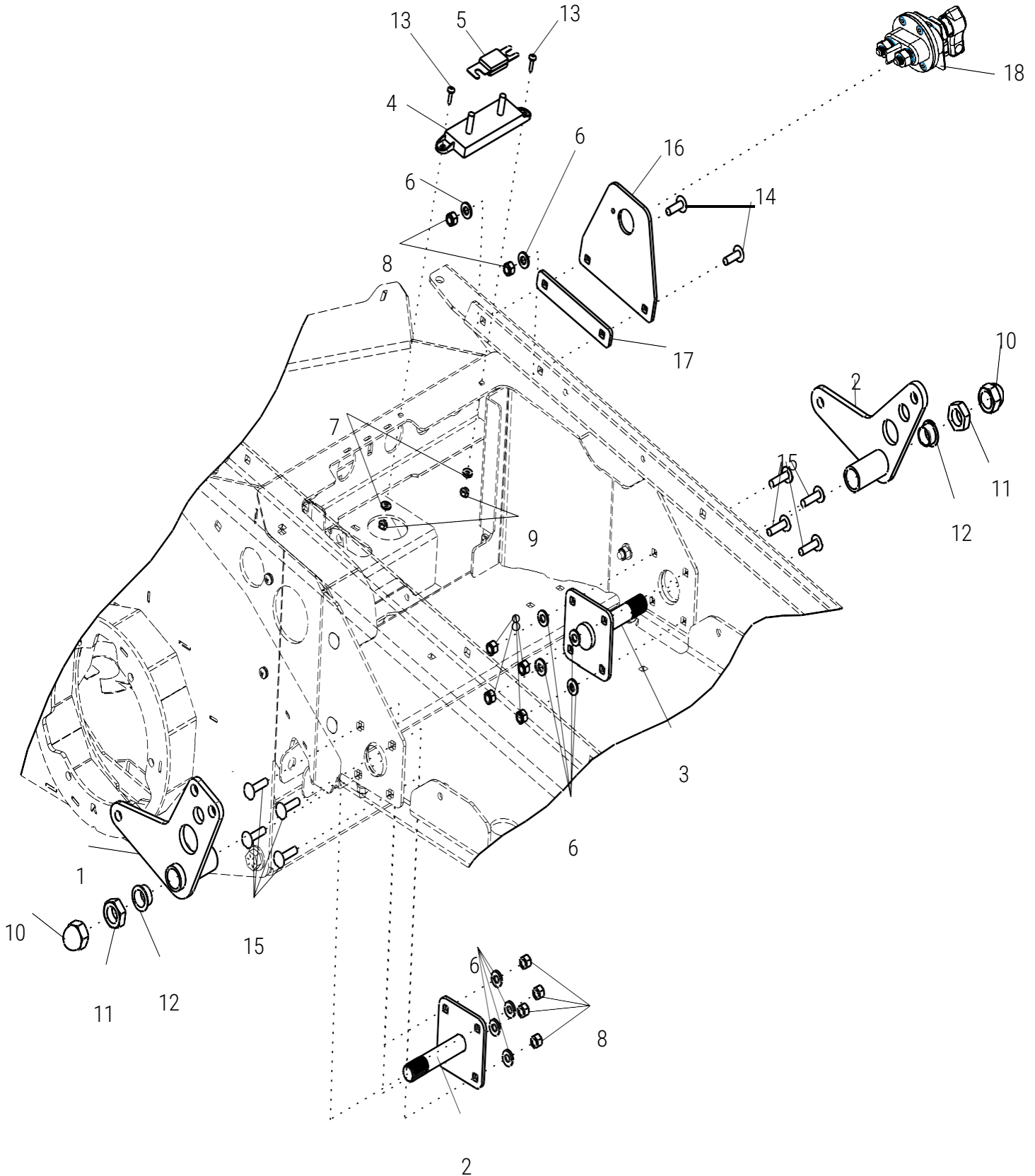
FRONT WING BEAM ASSEMBLY



FRONT WING BEAM ASSEMBLY

ITEM	PART#	QTY.	DESCRIPTION
1	AMGSS004	1	WDMT-FURY BEAM WING-LH
2	AMGSS005	1	WDMT-FURY BEAM WING-RH
3	AMGYKE19	2	ASSY-FURY-FRONT SPINDLE
4	MGHDW201-1	12	WASHER, 5/16 SAE, FLAT, Z
5	MGHDW304-1	12	NUT, 5/16-18, NYLOCK, Z
6	MGHDW707	6	CARRIAGE BOLT, 5/16-18 x 1, FT, ZC
7	MGHDW708	6	CARRIAGE BOLT, 5/16/-18 x 1-1/4, FT, Z
8	MGUPN090	2	SPINDLE CAPS

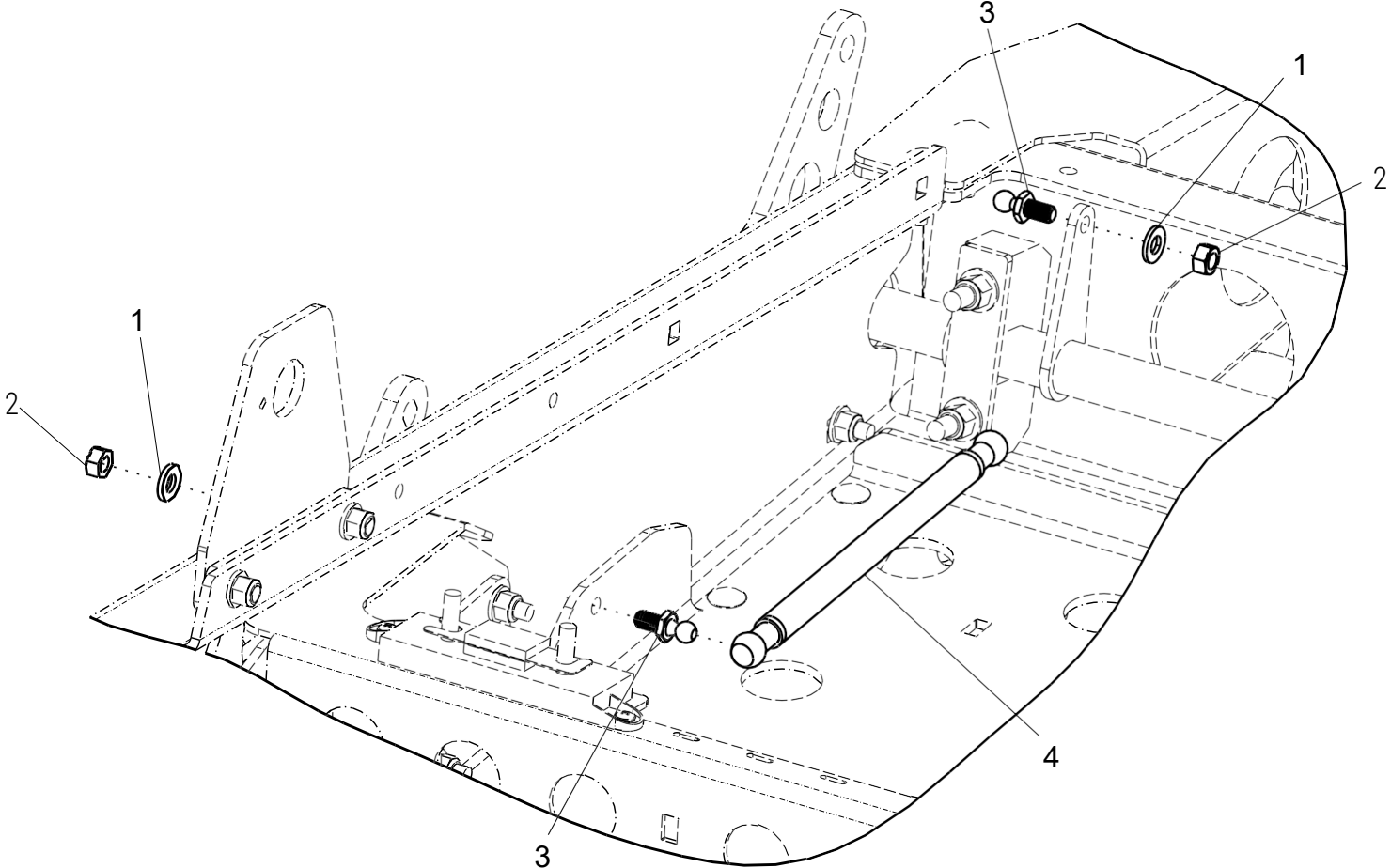
REAR DECK LIFTS, MAIN FUSE, & ON/OFF SWITCH



REAR DECK LIFTS, MAIN FUSE, & ON/OFF SWITCH

ITEM	PART#	QTY.	DESCRIPTION
1	AMGSS008	1	WDMT-REAR DECK ARM-RH
2	AMGSS009	1	WDMT-REAR DECK ARM-LH
3	AMGSS016	2	WDMT-LIFT ROD MOUNT-FURY
4	MGELC003	1	MAIN FUSE BLOCK, 400 AMP
5	MGELC055	1	400A FUSE
6	MGHDW201-1	10	WASHER, 5/16 SAE, FLAT, Z
7	MGHDW207	2	WASHER, #10 SAE, FLAT, Z
8	MGHDW304-1	10	NUT, 5/16-18, NYLOCK, Z
9	MGHDW308	2	NUT, #10-32, NYLOCK, Z
10	MGHDW350	2	NUT, 3/4-16, ACORN NUT, Z
11	MGHDW351	2	NUT, 3/4-16 JAM, ZP
12	MGHDW411	2	SPACERS, 3/4 ID x 1/2 L, GRY, PLASTIC
13	MGHDW506	2	MS, #10-32 x 5/8, PPH, Z
14	MGHDW707	2	CARRIAGE BOLT, 5/16-18 x 1, FT, ZC
15	MGHDW708	8	CARRIAGE BOLT, 5/16-18 x 1-1/4, FT, Z
16	MGSS0056	1	SHUT OFF SWITCH PLATE
17	MGSS0083	1	SHUT OFF SWITCH
18	MGELC115	1	ON/OFF BATTERY SWITCH

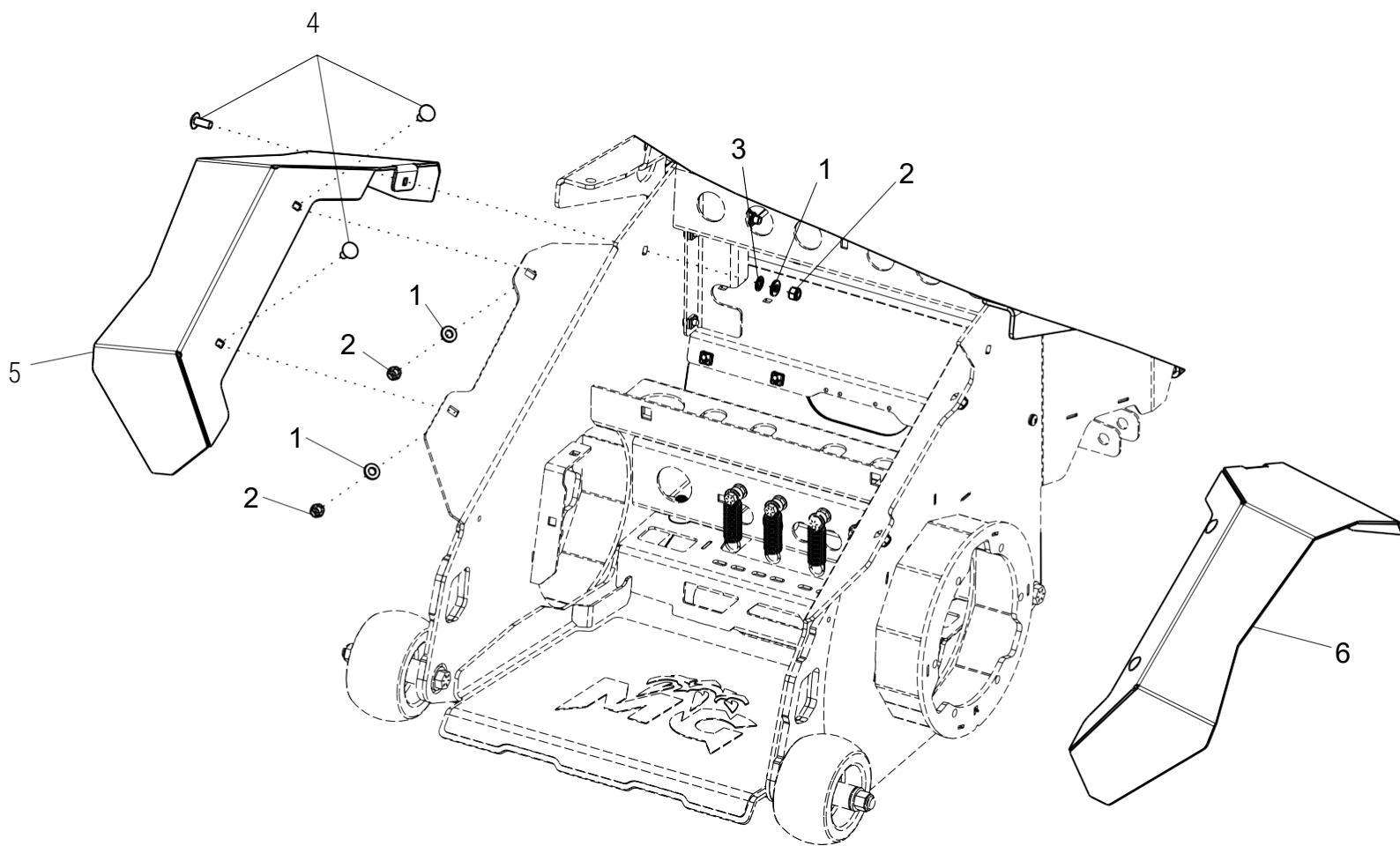
DECK LIFT ASSIST



DECK LIFT ASSIST

ITEM	PART#	QTY.	DESCRIPTION
1	MGHDW201-1	4	WASHER, 5/16 SAE, FLAT, Z
2	MGHDW319	4	NUT, 5/16-18, TOP LOCK, Z
3	MGUPN095	4	SCREW-UNIVERSAL JOINT-EZTR
4	MGUPN387	2	200N GAS SHOCK

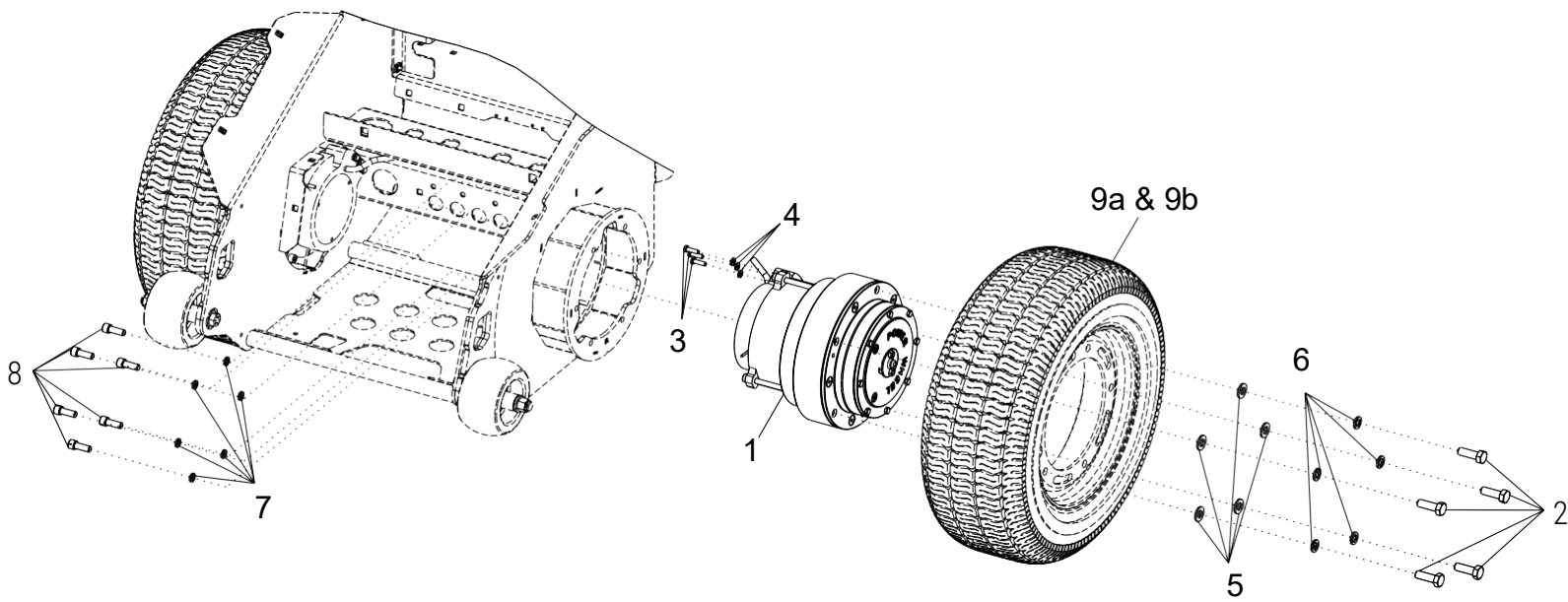
FENDER ASSEMBLY



FENDER ASSEMBLY

ITEM	PART#	QTY.	DESCRIPTION
1	MGHDW201-1	6	WASHER, 5/16 SAE, FLAT, Z
2	MGHDW304-1	6	NUT, 5/16-18, NYLOCK, Z
3	MGHDW339-1	2	NUT, 5/16, PUSH NUT, Z
4	MGHDW706	6	CARRIAGE BOLT, 5/16-18 x 3/4, FT, Z
5	MGSS0016-LH	1	SSO MUD BUSTER-LH
6	MGSS0016-RH	1	SSO MUD BUSTER-RH

DRIVE ASSEMBLY



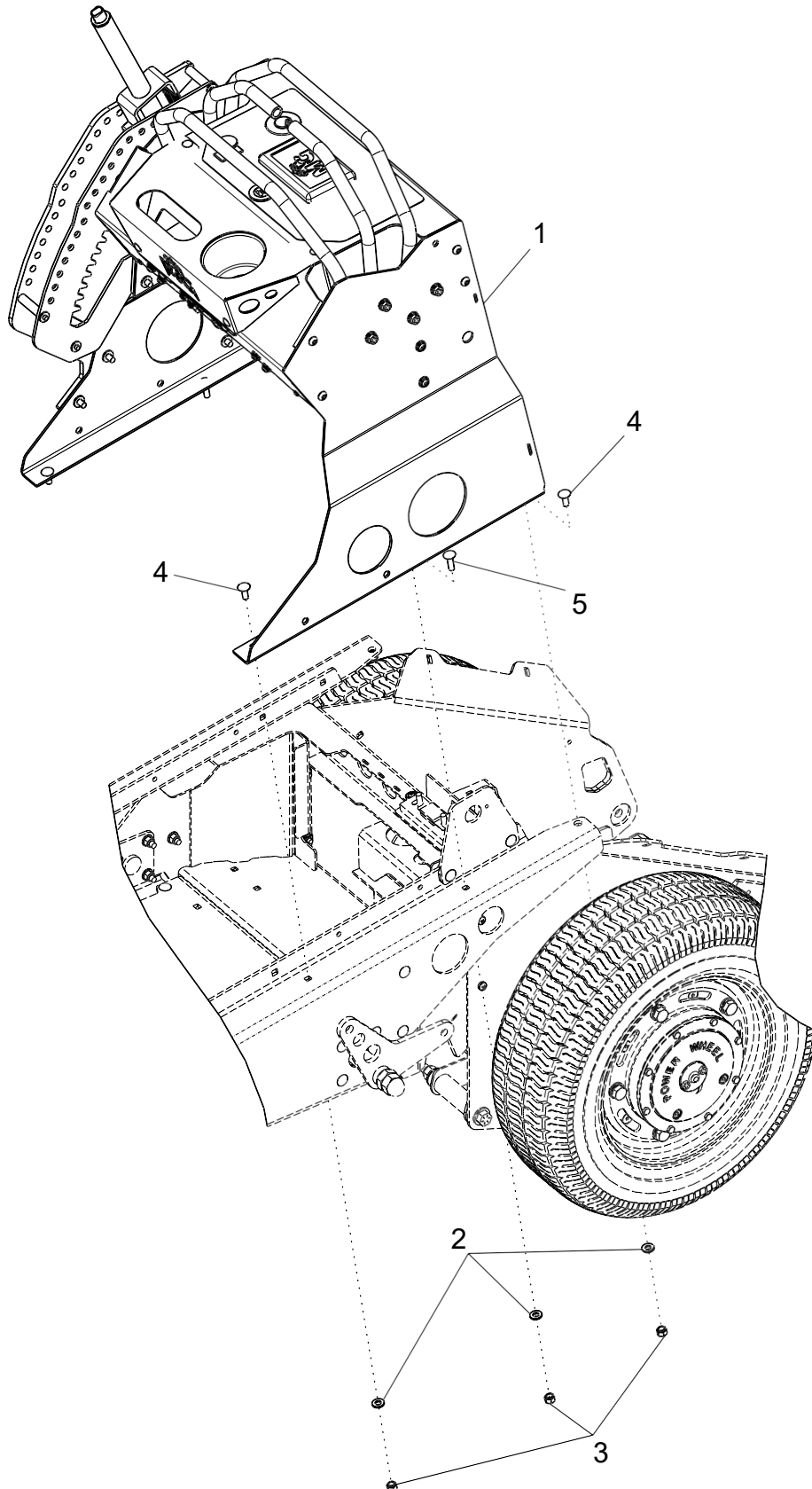
DRIVE ASSEMBLY

ITEM	PART#	QTY.	DESCRIPTION
1	AMGUPN57	2	IMPULSE DRIVE SYSTEM
2	MGHDW176	10	HCS, M12-1.5 x 35mm, YZ
3	MGHDW184	6	HCS, M6-1.0 x 20MM, FT, Z
4	MGHDW213	6	WASHER, 1/4 MED SPLIT, LOCK, YZ
5	MGHDW231	10	WASHER, M12 ID x 24MM OD, FLAT, YZ
6	MGHDW232	10	WASHER, M12 DIN127A BN717, SPLIT LOCK, YZ
7	MGHDW233	12	WASHER, 3/8 ID x 0.55 OD SPLIT, Z
8	MGHDW612	12	SCS, 3/8-16 x 1, SHCS, Z
9a	A0003243673	2	20 X 6.50-12 TIRE AND WHEEL ASSEMBLY
9b	A0003243672	2	20 X 8.50-12 TIRE AND WHEEL ASSEMBLY

9a - MODELS CONTAINING 32 DECKS ONLY

9b - MODELS CONTAINING 36 DECKS ONLY

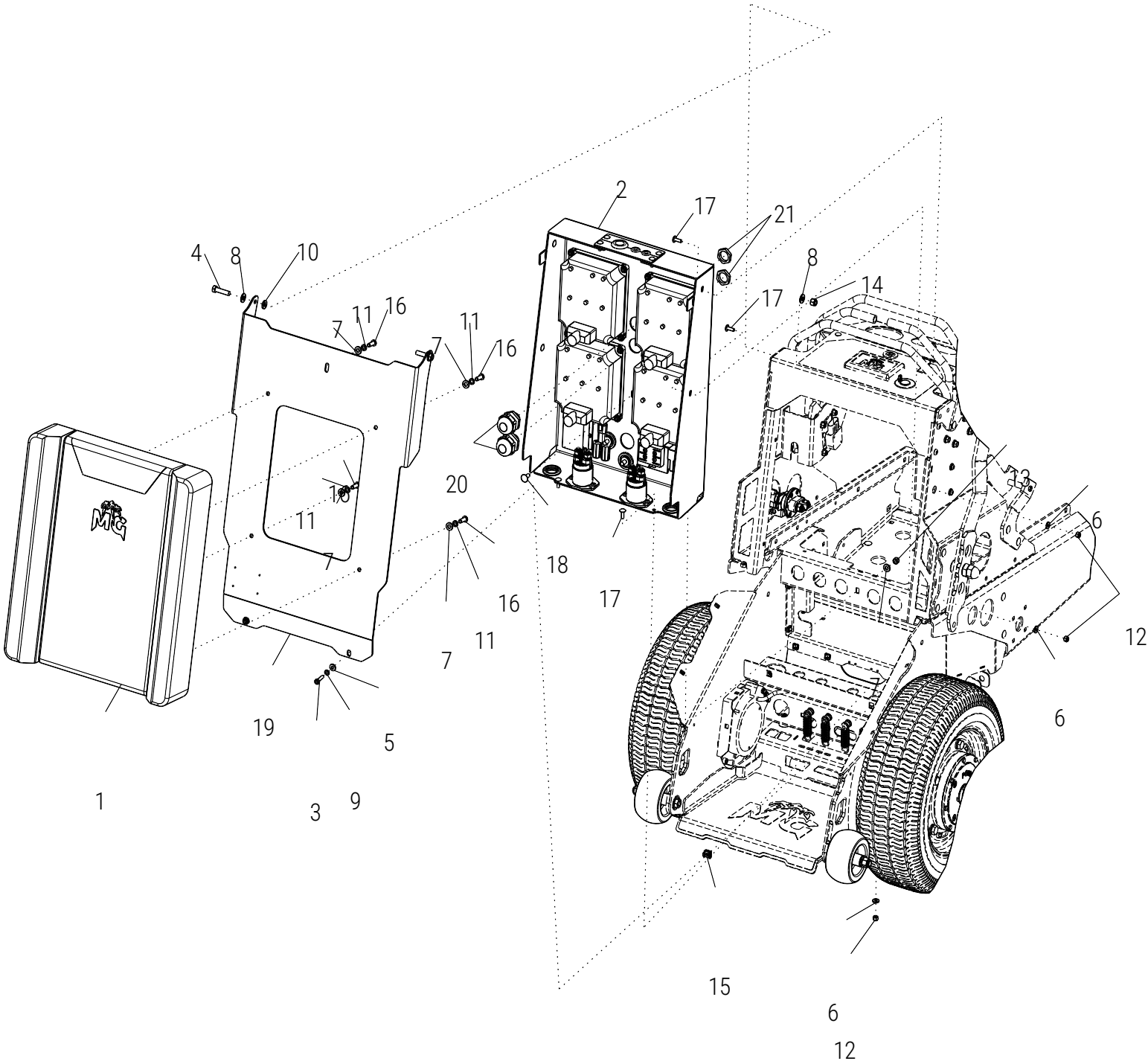
TOWER TO CHASSIS



TOWER TO CHASSIS

ITEM	PART#	QTY.	DESCRIPTION
1	AMGSS020	1	ASSY-TOWER-FURY
2	MGHDW201-1	6	WASHER, 5/16 SAE, FLAT, Z
3	MGHDW304-1	6	NUT, 5/16-18, NYLOCK, Z
4	MGHDW706	4	CARRIAGE BOLT, 5/16-18 x 3/4, FT, Z
5	MGHDW707	2	CARRIAGE BOLT, 5/16-18 x 1, FT, ZC

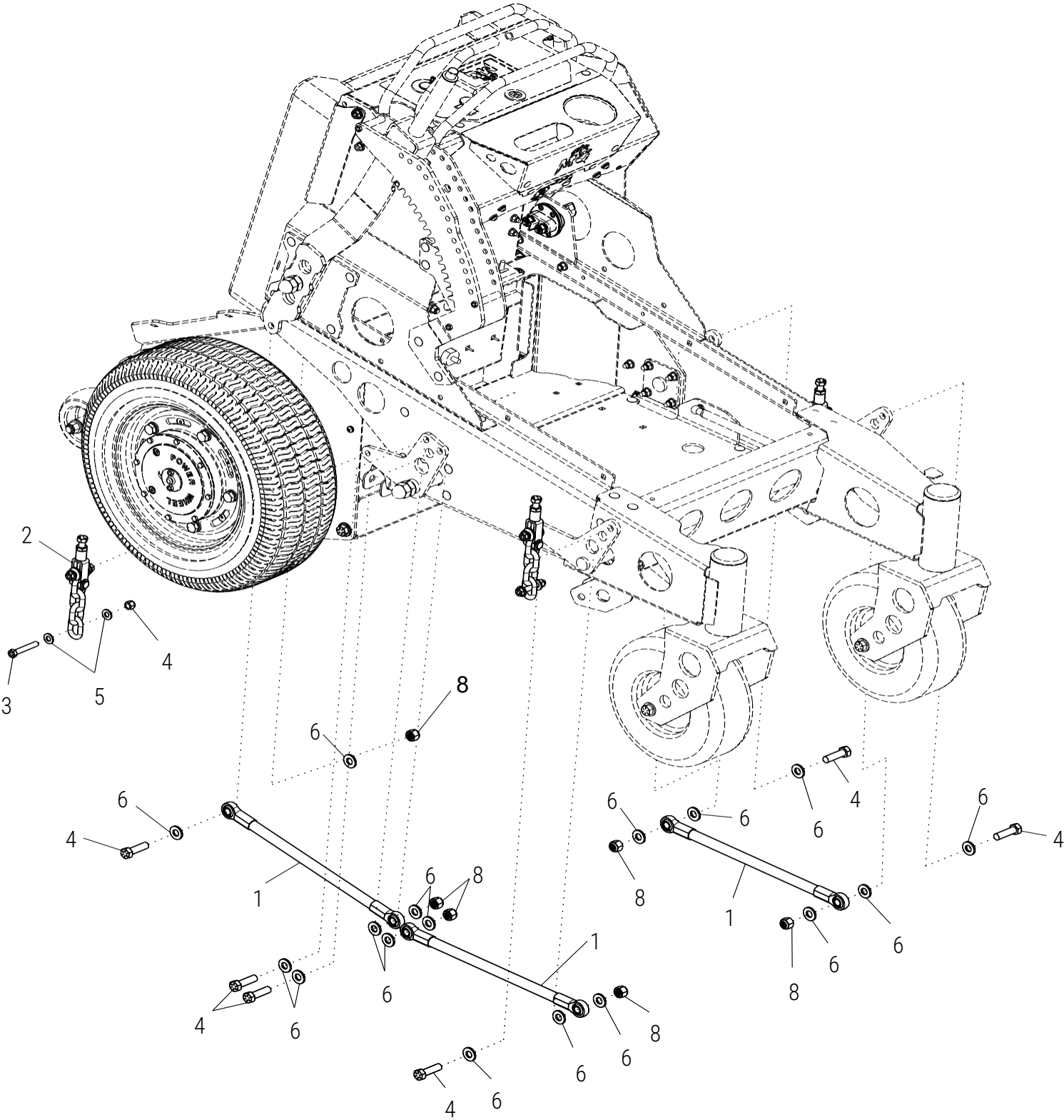
KNEEPAD / ELECTRICAL COMPARTMENT TO CHASSIS



KNEEPAD / ELECTRICAL COMPARTMENT TO CHASSIS

ITEM	PART#	QTY.	DESCRIPTION
1	A0003243674	1	SSO Knee Pad
2	AMGSS022	1	ASSY-ELECTRONICS COMPARTMENT-FURY
3	MGHDW102	2	HCS, 1/4-20 x 1, FT, YZ
4	MGHDW122	2	HCS, 3/8-16 x 1-1/2, FT, YZ
5	MGHDW200	2	WASHER, 1/4 SAE FLAT, YZ
6	MGHDW200-1	6	WASHER, 1/4 SAE, FLAT, Z
7	MGHDW201-1	5	WASHER, 5/16 SAE, FLAT, Z
8	MGHDW202	4	WASHER, 3/8 SAE, FLAT, YZ
9	MGHDW213	2	WASHER, 1/4 MED SPLIT, LOCK, YZ
10	MGHDW214	2	WASHER, 3/8 IDx 3/4 ODx 0.065 THK, NYLON
11	MGHDW217-1	4	WASHER, 5/16 MED SPLIT, LOCK, YZ
12	MGHDW303-1	6	NUT, 1/4-20, NYLOCK, Z
13	MGHDW304-1	1	NUT, 5/16-18, NYLOCK, Z
14	MGHDW305	2	NUTS-3/8-16, NYLOCK, YZ
15	MGHDW336	2	NUT, CAGE, 5/16-18
16	MGHDW617	4	SCS, 5/16-18 x 1, BHSCS, S/S 18-8
17	MGHDW700	6	CARRIAGE BOLT, 1/4-20 x 3/4, FT, Z
18	MGHDW706	1	CARRIAGE BOLT, 5/16-18 x 3/4, FT, Z
19	MGSS0019	1	SSO KNEE PAD PLATE
20	MGUPN440	2	SLN-29 1 IN SKINTOP BLK CRUSH GROM 1 IN
21	MGUPN441	2	NYLON NPT LOCKNUT BLK

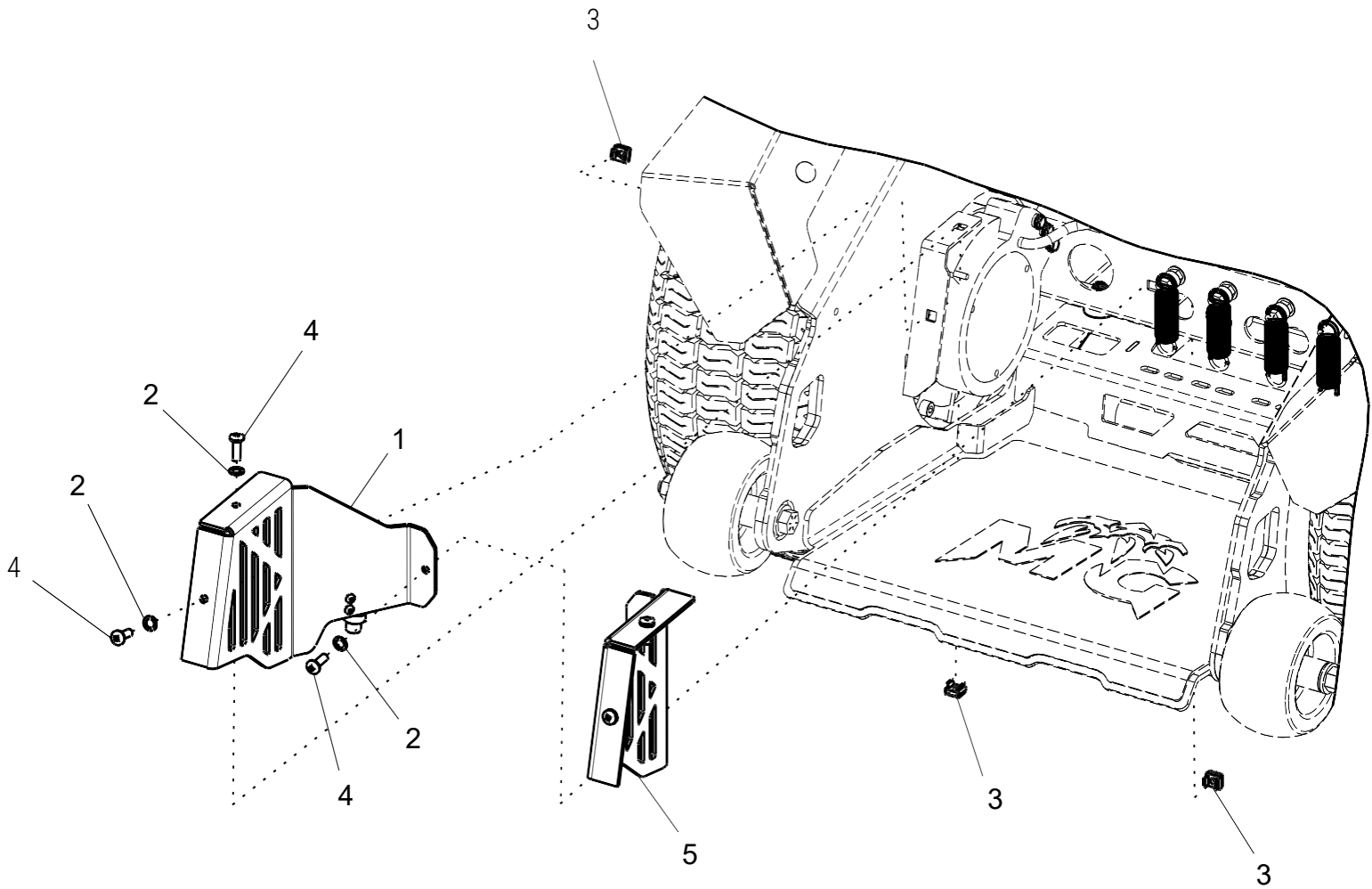
DECK LIFT LINKAGE ASSEMBLY



DECK LIFT LINKAGE ASSEMBLY

ITEM	PART#	QTY.	DESCRIPTION
1	A0003243685	3	SSO DECK LIFT TIE ROD
2	AMGUPN83	4	ASSY-DECK CHAIN-4 LINK
3	MGHDW126	4	HCS, 3/8-16 x 2-1/4, PT, YZ
4	MGHDW144	6	HCS, 1/2-13 x 1-3/4, FT, YZ
5	MGHDW202	8	WASHER, 3/8 SAE, FLAT, YZ
6	MGHDW210	18	WASHER, 1/2 SAE, FLAT, YZ
7	MGHDW305	4	NUT-3/8-16, NYLOCK, YZ
8	MGHDW314	6	NUT, 1/2-13, HALF NYLOCK, YZ

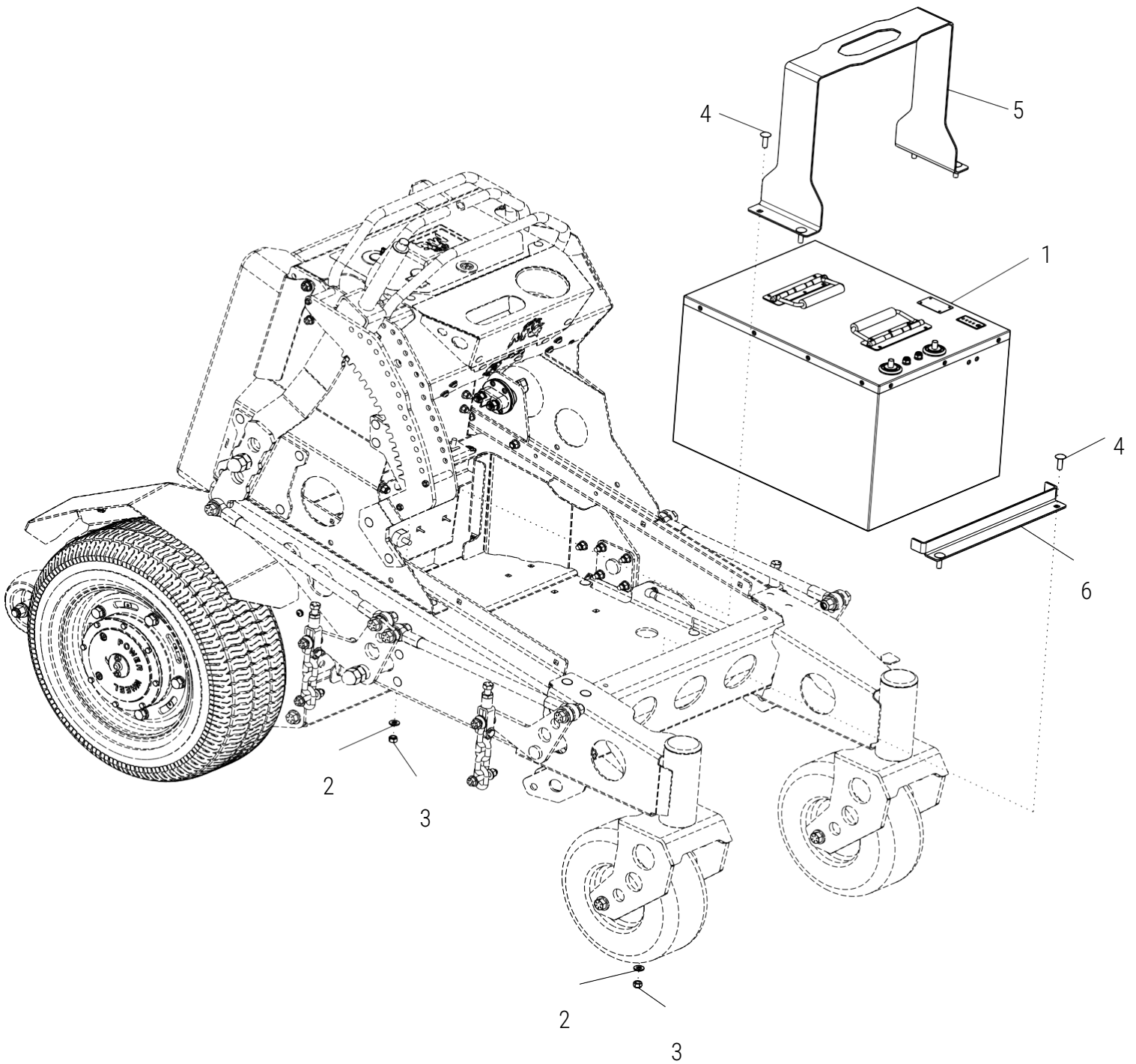
DRIVE MOTOR GUARDS



DRIVE MOTOR GUARDS

ITEM	PART#	QTY.	DESCRIPTION
1	AMGSS024	1	ASSY-PLATFORM SAFETY SWITCH-FURY
2	MGHDW205	6	WASHER, 1/4 ID x 1/2 OD x 1/16 THK, NYLON
3	MGHDW315	6	NUT, 1/4"-20, CAGE NUT, Z
4	MGHDW507	6	MS, 1/4-20 x 3/4 , PPH, 18-8 S/S
5	MGSS0062-RH	1	SSO AIR VENT BOX

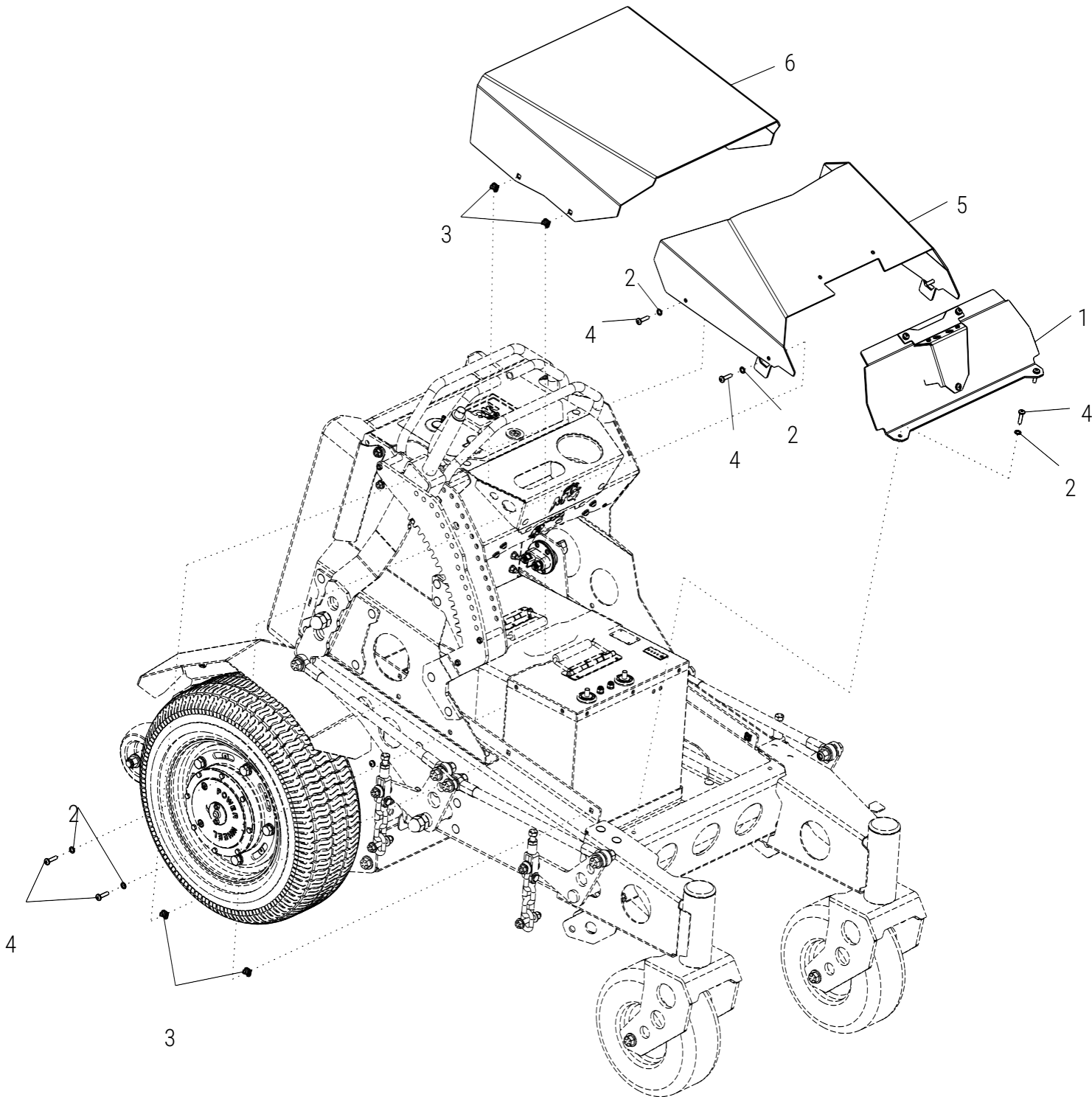
BATTERY COMPARTMENT



BATTERY COMPARTMENT

ITEM	PART#	QTY.	DESCRIPTION
1	A0005188024	1	48V 11kWh 222 AH BATTERY
2	MGHDW201-1	6	WASHER, 5/16 SAE, FLAT, Z
3	MGHDW304-1	6	NUT, 5/16-18, NYLOCK, Z
4	MGHDW707	6	CARRIAGE BOLT, 5/16-18 x 1, FT, Z
5	MGSS0060	1	222 AH BATTERY HOLD DOWN
6	MGSS0068	1	SSO FRONT BATTERY STOP

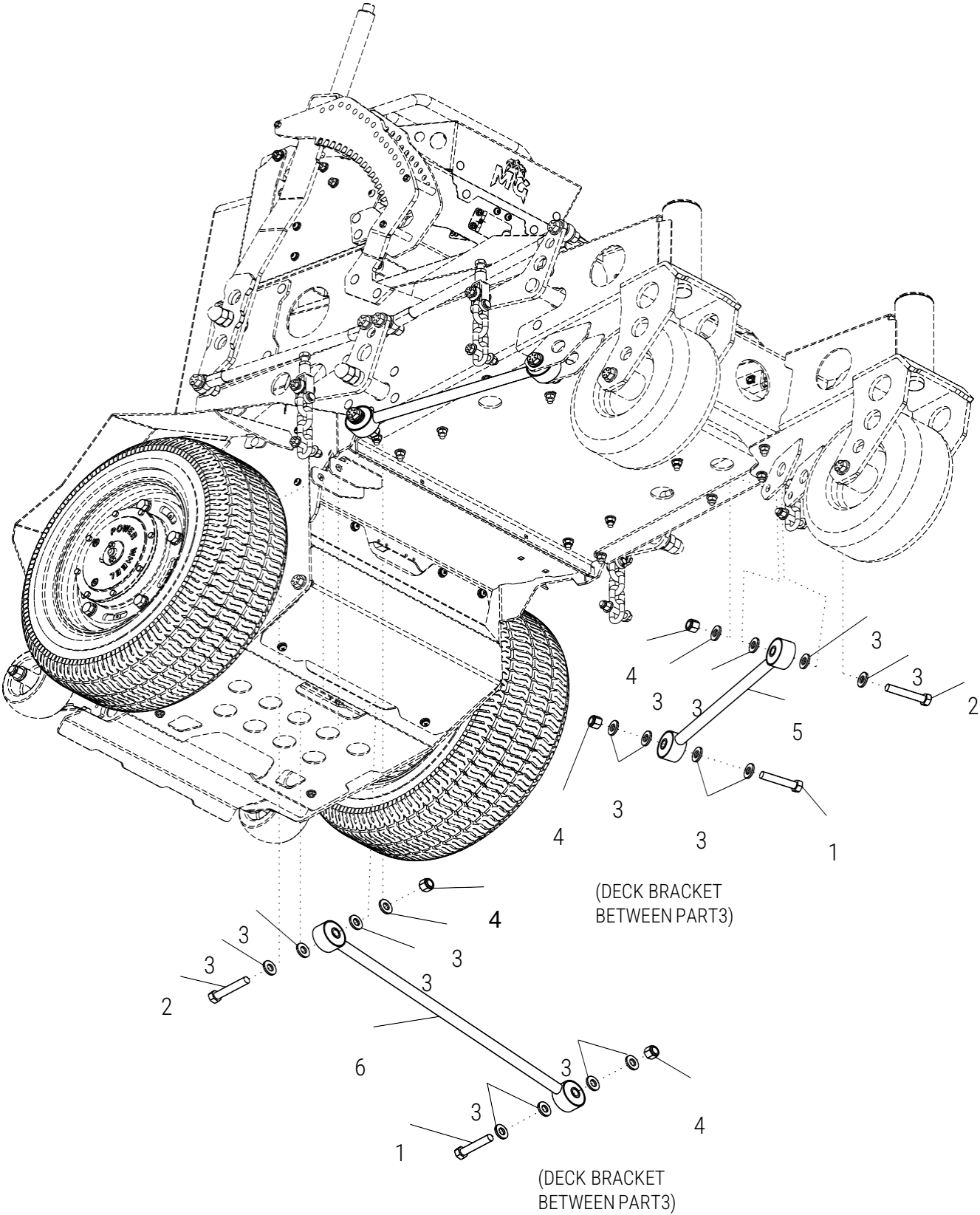
HOODS ASSEMBLY



HOODS ASSEMBLY

ITEM	PART#	QTY.	DESCRIPTION
1	AMGSS025	1	ASSY-LIGHT POD-FURY
2	MGHDW205	10	WASHER, 1/4 ID x 1/2 OD x 1/16 THK, NYLON
3	MGHDW315	8	NUT, 1/4"-20, CAGE NUT, Z
4	MGHDW507-1	10	MS, 1/4-20 x 1, PPH, 18-8 S/S
5	MGSS0053	1	SSO FRONT HOOD
6	MGSS0054	1	SSO REAR HOOD

DECK STABILIZER ASSEMBLY

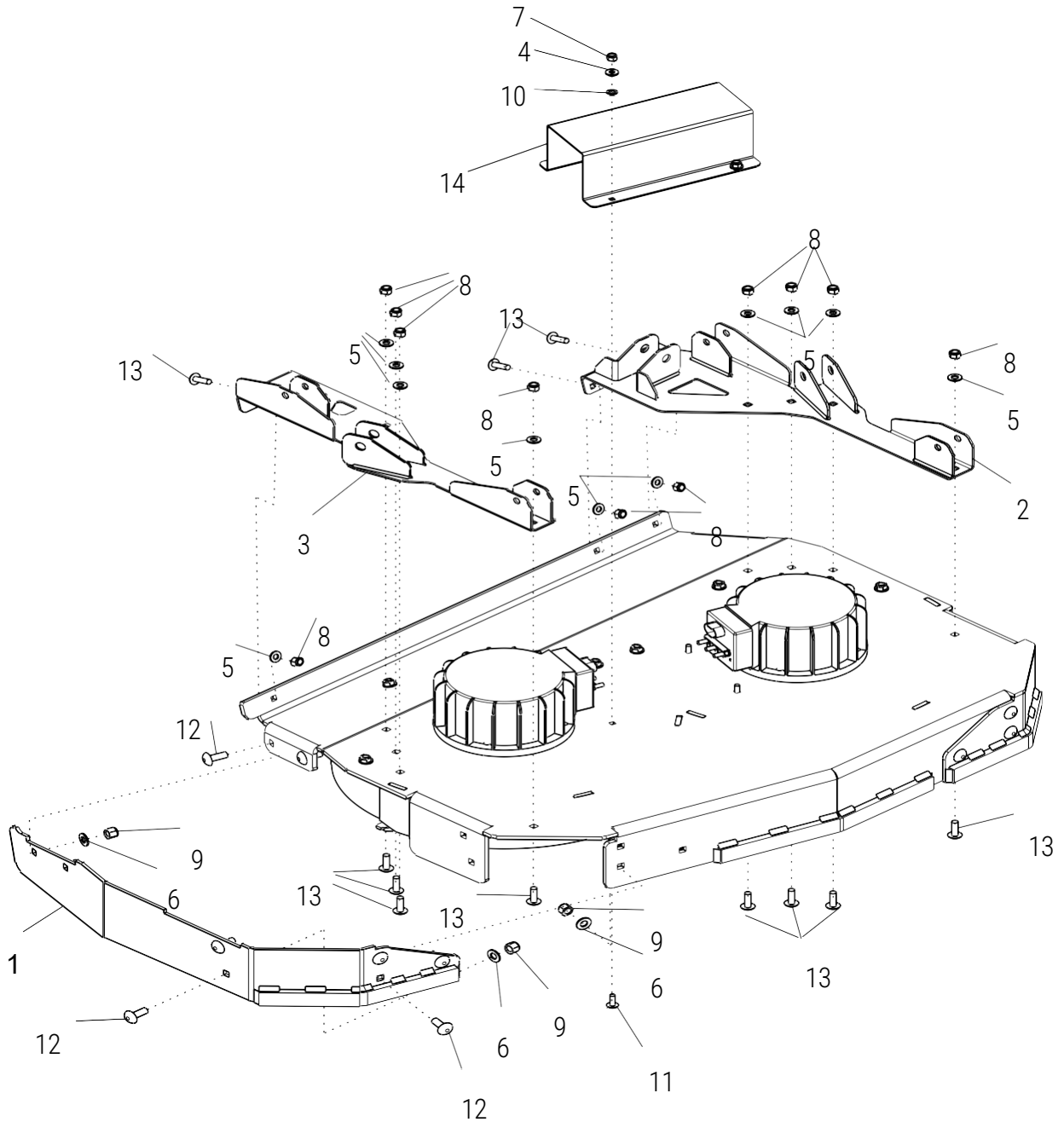


DECK STABILIZER ASSEMBLY

ITEM	PART#	QTY.	DESCRIPTION
1	MGHDW147	3	HCS, 1/2-13 x 2-1/2, PT, YZ
2	MGHDW148	3	HCS, 1/2-13x2.75 PT HHCS, GR8 YZP
3	MGHDW210	24	WASHER, 1/2 SAE, FLAT, YZ
4	MGHDW320	6	NUT, 1/2-13, NYLOCK, YZ
5	MGUPN124	2	STABILIZER ARM-13-5/8
6	MGUPN125	1	STABILIZER ARM-22"

32RD DECK ASSEMBLY

AMGSS032R01 - FULL DECK ASSEMBLY



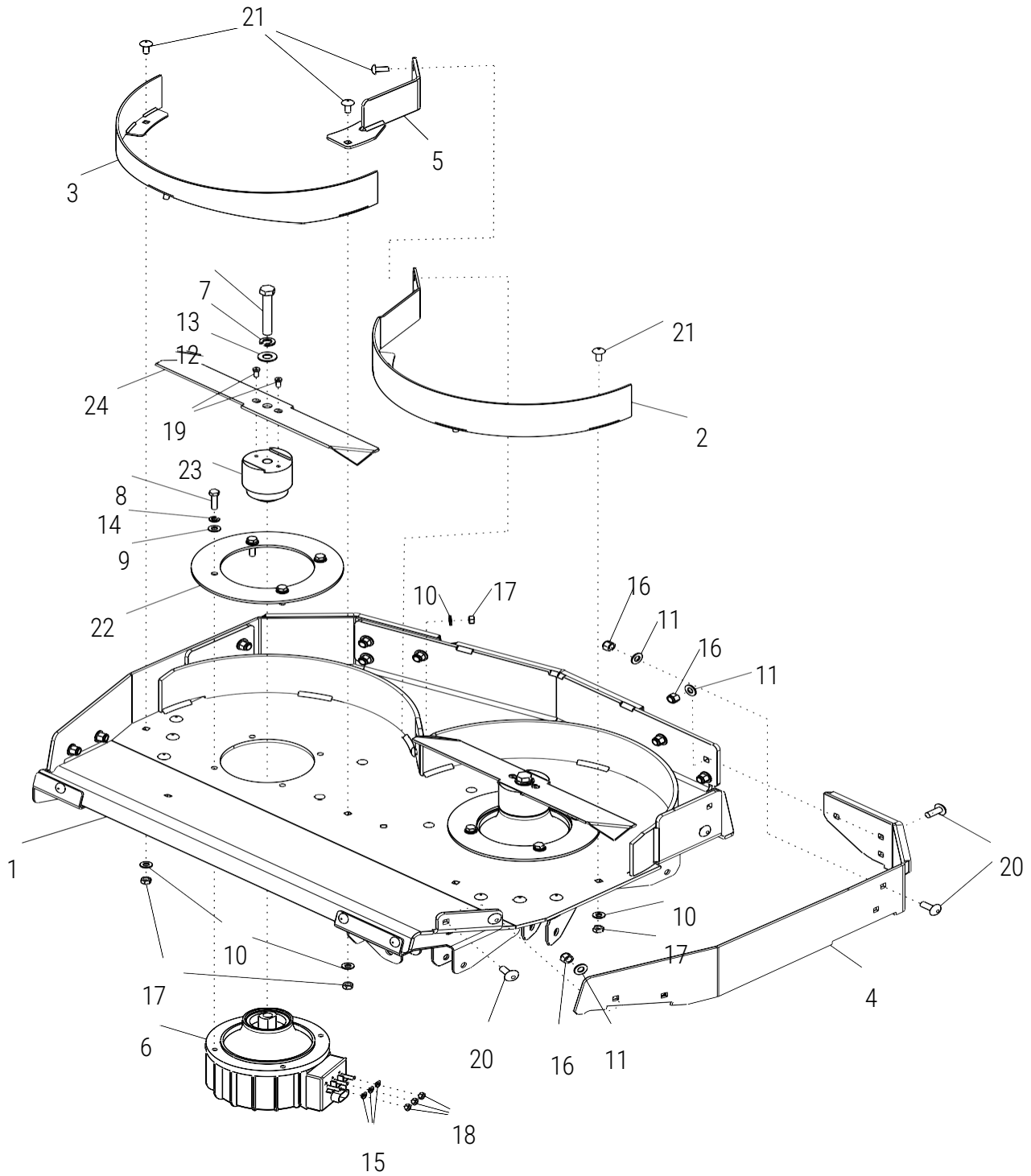
32RD DECK ASSEMBLY

AMGSSO32R01 - FULL DECK ASSEMBLY

ITEM	PART#	QTY.	DESCRIPTION
1	AMGSSO32R07	1	WDMT-RH-SIDE REINFORCEMENT-32RD
2	AMGSSO32R09	1	WDMT-LH CHAIN STABILIZER BRKT-32RD
3	AMGSSO32R10	1	WDMT-RH CHAIN STABILIZER BRKT-32RD
4	MGHDW200-1	4	WASHER, 1/4 SAE FLAT, Z
5	MGHDW201-1	11	WASHER, 5/16 SAE, FLAT, Z
6	MGHDW202-1	7	WASHER, 3/8 SAE, FLAT, Z
7	MGHDW303-1	4	NUT, 1/4-20, NYLOCK, Z
8	MGHDW304-1	11	NUT, 5/16-18, NYLOCK, Z
9	MGHDW305-1	7	NUT, 3/8-16, NYLOCK, Z
10	MGHDW339	4	NUT, 1/4, PUSH NUT, Z
11	MGHDW700	4	CARRIAGE BOLT, 1/4-20 x 3/4, FT, Z
12	MGHDW703	7	CARRIAGE BOLT, 3/8-16 x 1, FT, Z
13	MGHDW707	11	CARRIAGE BOLT, 5/16-18 x 1, FT, Z
14	MGSSO32R015	1	32 RD, DECK COVER

32RD DECK ASSEMBLY

AMGSSO32R01 - FULL DECK ASSEMBLY



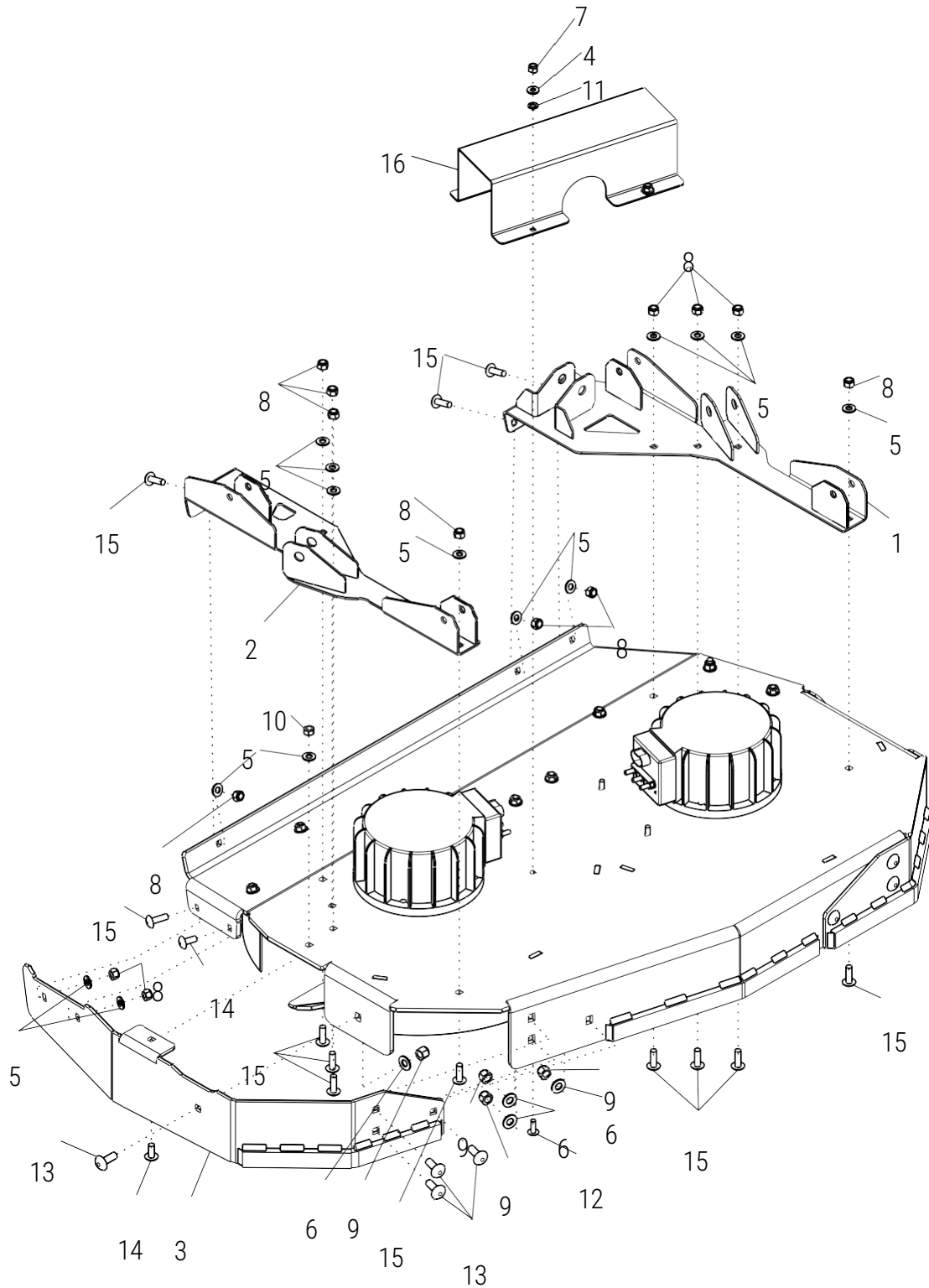
32RD DECK ASSEMBLY

AMGSSO32R01 - FULL DECK ASSEMBLY

ITEM	PART#	QTY.	DESCRIPTION
1	AMGSSO32R02	1	WDMT-32RD-MAIN DECK
2	AMGSSO32R03	1	WDMT-DECK BAFFLE-LH-32RD
3	AMGSSO32R04	1	WDMT-DECK BAFFLE-RH-32RD
4	AMGSSO32R06	1	WDMT-LH-SIDE REINFORCEMENT-32RD
5	AMGSSO32R08	1	WDMT-REMOVABLE MID BAFFLE-32RD
6	MGELC016-1	2	HG SILVER BLADE MOTOR
7	MGHDW151	2	HCS, 1/2-13 x 3-1/2, PT, YZ
8	MGHDW169	8	HCS, 5/16-24 x 1-1/4, FT, YZ
9	MGHDW201	11	WASHER, 5/16 SAE FLAT, YZ
10	MGHDW201-1	7	WASHER, 5/16 SAE, FLAT, Z
11	MGHDW202-1	2	WASHER, 3/8 SAE, FLAT, Z
12	MGHDW210	2	WASHER, 1/2 SAE, FLAT, YZ
13	MGHDW216	2	WASHER, 1/2 MED SPLIT, LOCK, YZ
14	MGHDW217	8	WASHER, 5/16 MED SPLIT, LOCK, YZ
15	MGHDW242	6	WASHER, M6 MED SPLIT, LOCK, Z
16	MGHDW305-1	7	NUT, 3/8-16, NYLOCK, Z
17	MGHDW319	8	NUT, 5/16-18, TOP LOCK, Z
18	MGHDW342	6	NUT, M6-1.0, HEX NUT, Z
19	MGHDW609-1	4	SCS, 1/4-20 x 1/2, LHSCS, PH
20	MGHDW703	7	CARRIAGE BOLT, 3/8-16 x 1, FT, Z
21	MGHDW706	8	CARRIAGE BOLT, 5/16-18 x 3/4, FT, Z
22	MGMUP021	2	BLADE MOTOR SUPPORT PLATE
23	MGUPN001	2	BLADE MOTOR ADAPTER
24	MGUPN099	2	BLADE-MGM-SK48-RH-ST

36RD DECK ASSEMBLY

AMGSSO36R01 - FULL DECK ASSEMBLY



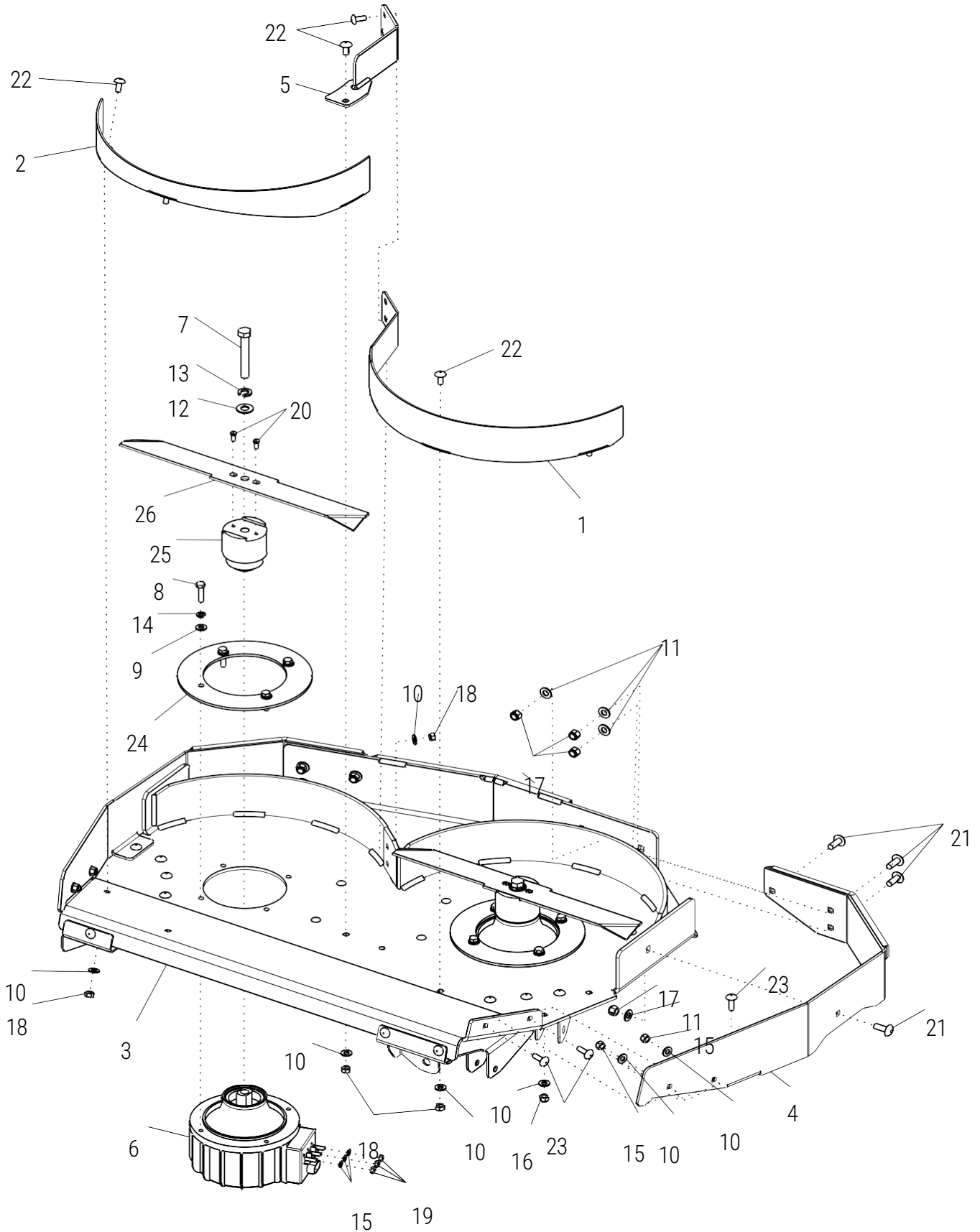
36RD DECK ASSEMBLY

AMGSSO36R01 - FULL DECK ASSEMBLY

ITEM	PART#	QTY.	DESCRIPTION
1	AMGSSO36R02	1	WDMT-DECK CHAIN BRKT-LH
2	AMGSSO36R03	1	WDMT-DECK CHAIN BRKT-RH
3	AMGSSO36R08	1	WDMT-RIGHT SIDE TRIM EDGE-36R
4	MGHDW200-1	4	WASHER, 1/4 SAE FLAT, Z
5	MGHDW201-1	14	WASHER, 5/16 SAE, FLAT, Z
6	MGHDW202-1	4	WASHER, 3/8 SAE, FLAT, Z
7	MGHDW303-1	4	NUT, 1/4-20, NYLOCK, Z
8	MGHDW304-1	13	NUT, 5/16-18, NYLOCK, Z
9	MGHDW305-1	4	NUT, 3/8-16, NYLOCK, Z
10	MGHDW319	1	NUT, 5/16-18, TOP LOCK, Z
11	MGHDW339	4	NUT, 1/4, PUSH NUT, Z
12	MGHDW700	4	CARRIAGE BOLT, 1/4-20 x 3/4, FT, Z
13	MGHDW703	4	CARRIAGE BOLT, 3/8-16 x 1, FT, Z
14	MGHDW706	2	CARRIAGE BOLT, 5/16-18 x 3/4, FT, Z
15	MGHDW707	12	CARRIAGE BOLT, 5/16-18 x 1, FT, Z
16	MGSSO36R17	1	36RD MOTOR COVER

36RD DECK ASSEMBLY

AMGSSO36R01 - FULL DECK ASSEMBLY



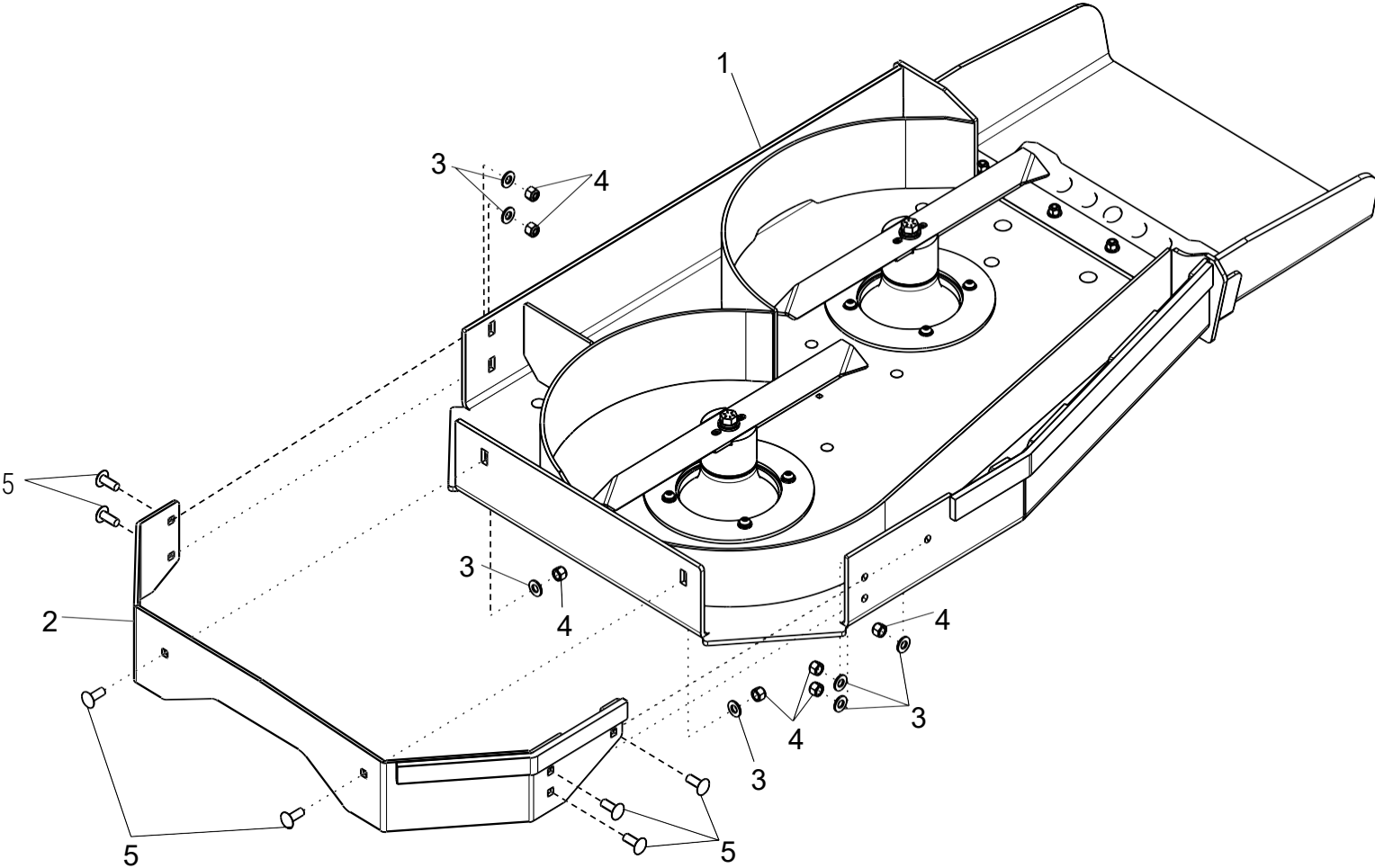
36RD DECK ASSEMBLY

AMGSSO36R01 - FULL DECK ASSEMBLY

ITEM	PART#	QTY.	DESCRIPTION
1	AMGSSO36R04	1	WDMT-36RD LEFT REAR MULCHING BAFFLE
2	AMGSSO36R05	1	WDMT-36RD RIGHT REAR MULCHING BAFFLE
3	AMGSSO36R06	1	WDMT-MAIN DECK 36 REAR
4	AMGSSO36R07	1	WDMT-LEFT SIDE TRIM EDGE-36R
5	AMGSSO36R09	1	WDMT-CENTER REMOVABLE BAFFLE-36RD
6	MGELC016-1	2	HG SILVER BLADE MOTOR
7	MGHDW151	2	HCS, 1/2-13 x 3-1/2, PT, YZ
8	MGHDW169	8	HCS, 5/16-24 x 1-1/4, FT, YZ
9	MGHDW201	8	WASHER, 5/16 SAE FLAT, YZ
10	MGHDW201-1	11	WASHER, 5/16 SAE, FLAT, Z
11	MGHDW202-1	4	WASHER, 3/8 SAE, FLAT, Z
12	MGHDW210	2	WASHER, 1/2 SAE, FLAT, YZ
13	MGHDW216	2	WASHER, 1/2 MED SPLIT, LOCK, YZ
14	MGHDW217	8	WASHER, 5/16 MED SPLIT, LOCK, YZ
15	MGHDW242	6	WASHER, M6 MED SPLIT, LOCK, Z
16	MGHDW304-1	3	NUT, 5/16-18, NYLOCK, Z
17	MGHDW305-1	4	NUT, 3/8-16, NYLOCK, Z
18	MGHDW319	8	NUT, 5/16-18, TOP LOCK, Z
19	MGHDW342	6	NUT, M6-1.0, HEX NUT, Z
20	MGHDW609-1	4	SCS, 1/4-20 x 1/2, LHSCS, PH
21	MGHDW703	4	CARRIAGE BOLT, 3/8-16 x 1, FT, Z
22	MGHDW706	8	CARRIAGE BOLT, 5/16-18 x 3/4, FT, Z
23	MGHDW707	3	CARRIAGE BOLT, 5/16-18 x 1, FT, Z
24	MGMUP021	2	BLADE MOTOR SUPPORT PLATE
25	MGUPN001	2	BLADE MOTOR ADAPTER
26	MGUPN103	2	18.00" RH BLADE 0.187" THK-CXR 52

36SD DECK ASSEMBLY

AMGSSO36S01 - FULL DECK ASSEMBLY



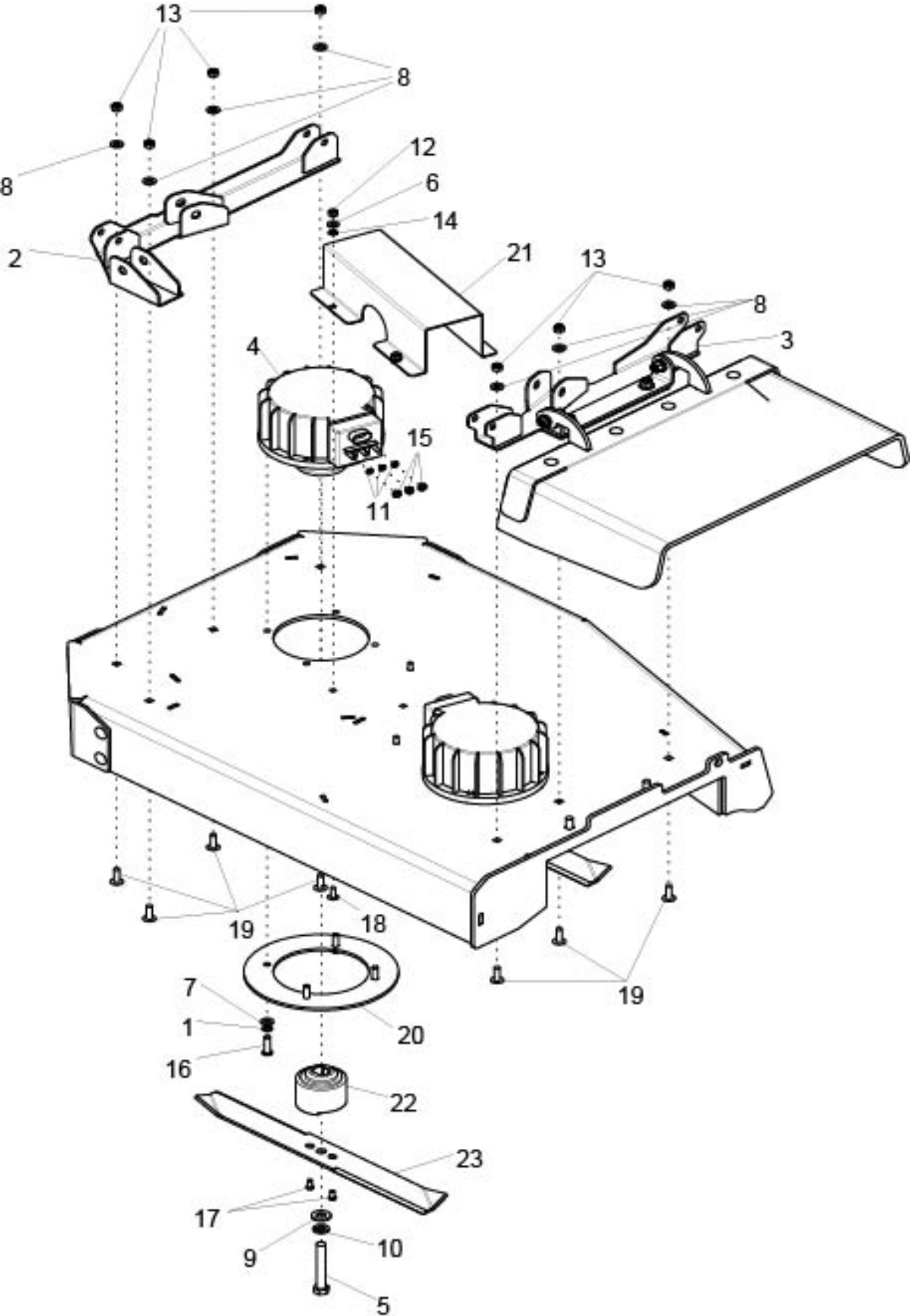
36SD DECK ASSEMBLY

AMGSSO36S01 - FULL DECK ASSEMBLY

ITEM	PART#	QTY.	DESCRIPTION
1	AMGSSO36S02	1	WDMT-MAIN DECK-36SD
2	AMGSSO36S03	1	WDMT-36SD TRIM EDGE
3	MGHDW202-1	7	WASHER, 3/8 SAE, FLAT, Z
4	MGHDW305-1	7	NUT, 3/8-16, NYLOCK, Z
5	MGHDW703	7	CARRIAGE BOLT, 3/8-16 x 1 FT, Z

36SD DECK ASSEMBLY

AMGSSO36S01 - FULL DECK ASSEMBLY



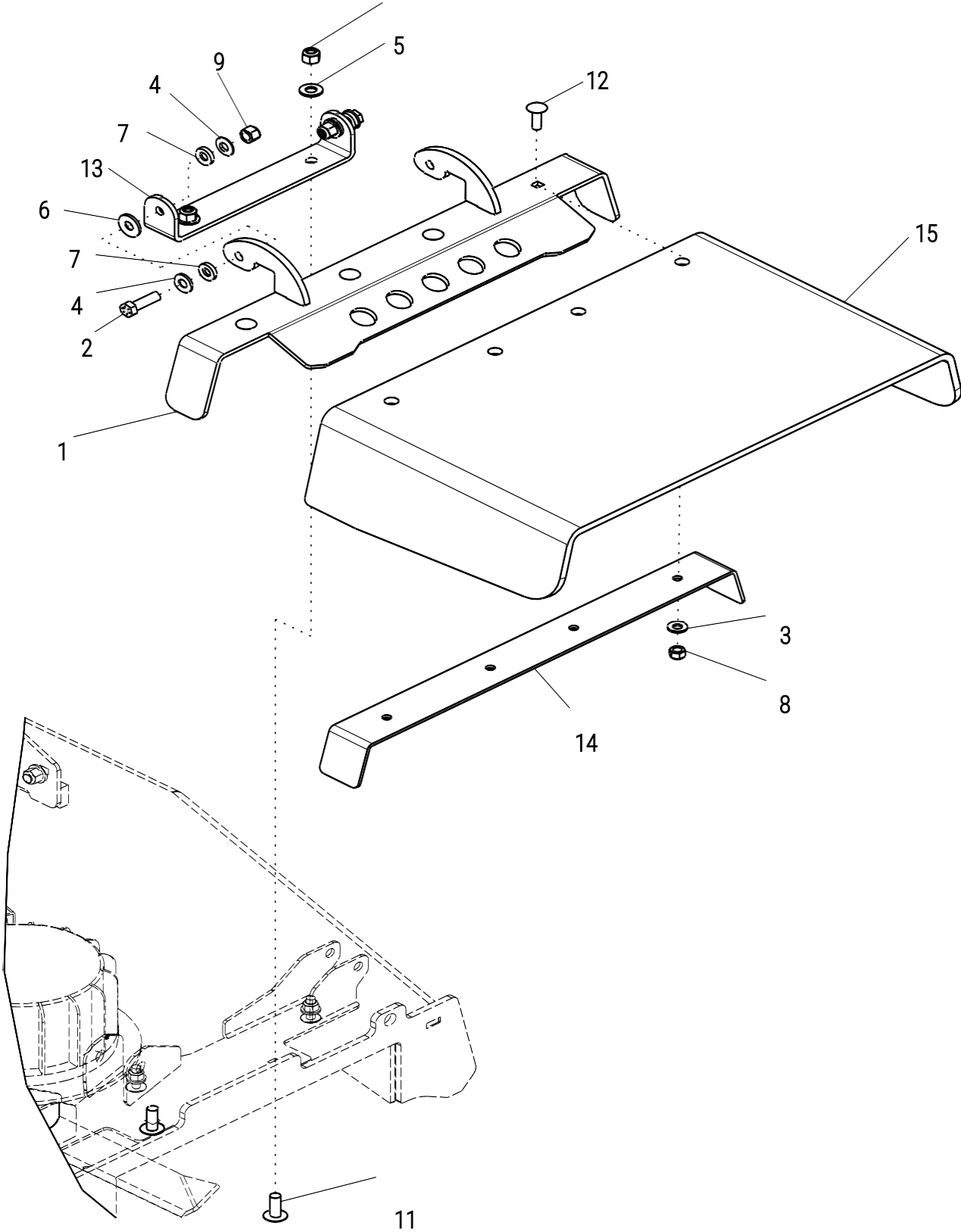
36SD DECK ASSEMBLY

AMGSSO36S01 - FULL DECK ASSEMBLY

ITEM	PART#	QTY.	DESCRIPTION
1	MGHDW217-1	8	WASHER, 5/16 MED SPLIT, LOCK, Z
2	AMGSSO36S04	1	WDMT-LH TRIFECTA MOUNT
3	AMGSSO36S05	1	WDMT-RH MULTI MOUNT
4	MGELC016-1	2	HG SILVER BLADE MOTOR
5	MGHDW151	2	HCS, 1/2-13 x 3-1/2, PT, YZ
6	MGHDW200-1	4	WASHER, 1/4 SAE, FLAT, Z
7	MGHDW201	8	WASHER, 5/16 SAE, FLAT, YZ
8	MGHDW201-1	7	WASHER, 5/16 SAE, FLAT, Z
9	MGHDW210	2	WASHER, 1/2 SAE, FLAT, YZ
10	MGHDW216	2	WASHER, 1/2 MED SPLIT, LOCK, YZ
11	MGHDW242	6	WASHER, M6 MED SPLIT, LOCK, Z
12	MGHDW303-1	4	NUT, 1/4-20, NYLOCK, Z
13	MGHDW304-1	7	NUT, 5/16-18, NYLOCK, Z
14	MGHDW339	4	1/4 PUSH NUT
15	MGHDW342	6	NUT, M6-1.0, HEX NUT, Z
16	MGHDW600	8	SCS, 5/16-24 x 1-1/4, BHSCS, Z
17	MGHDW609-1	4	SCS, 1/4-20 x 1/2, LHSCS, PH
18	MGHDW700	4	CARRIAGE BOLT, 1/4-20 x 3/4, FT, Z
19	MGHDW707	7	CARRIAGE BOLT, 5/16-18 x 1, FT, ZC
20	MGMUP021	2	MOTOR SUPPORT RING
21	MGSSO36R17	1	36RD MOTOR COVER
22	MGUPN001	2	BLADE MOTOR ADAPTER
23	MGUPN103	2	BLADE-MGM-CXR52-RH-ST

36SD DECK ASSEMBLY

AMGSSO36S01 - FULL DECK ASSEMBLY

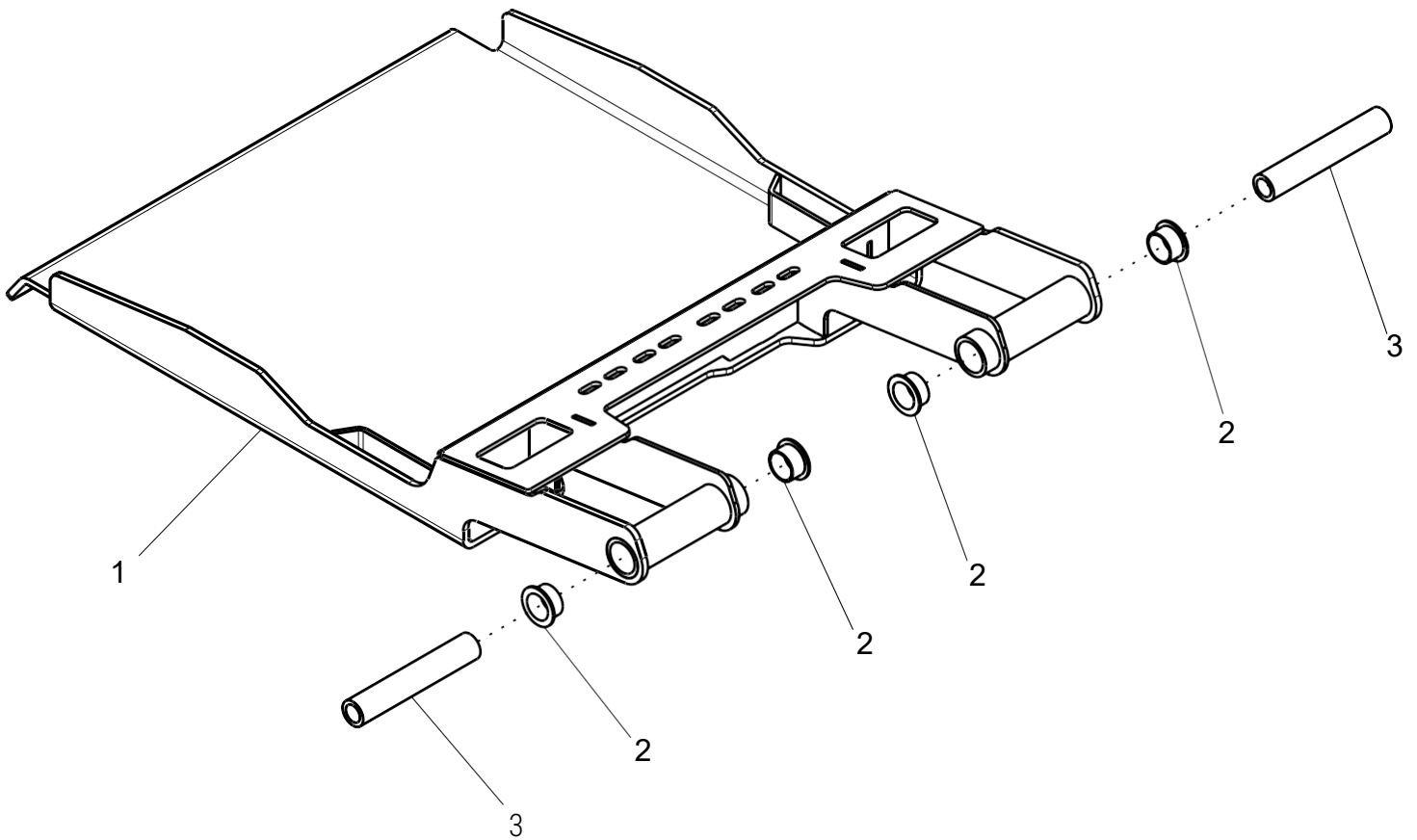


36SD DECK ASSEMBLY

AMGSSO36S01 - FULL DECK ASSEMBLY

ITEM	PART#	QTY.	DESCRIPTION
1	AMGMUP07	1	WDMT-CHUTE BRKT ANGLED-TOP
2	MGHDW121	2	HCS 3/8-16 x 1-1/4, FT, YZ
3	MGHDW201-1	4	WASHER, 5/16 SAE, FLAT, Z
4	MGHDW202	4	WASHER, 3/8 SAE, FLAT, YZ
5	MGHDW202-1	2	WASHER, 3/8 SAE, FLAT, Z
6	MGHDW203	2	WASHER, 3/8 ID x 1 OD x 1/16 THK, NYLON
7	MGHDW214	4	WASHER, 3/8 IDx 3/4 ODx 0.065 THK, NYLON
8	MGHDW304-1	4	NUT, 5/16-18, NYLOCK, Z
9	MGHDW305	2	NUT, 3/8-16, NYLOCK, YZ
10	MGHDW305-1	2	NUT, 3/8-16, NYLOCK, Z
11	MGHDW703	2	CARRIAGE BOLT, 3/8-16 x 1 FT, Z
12	MGHDW707	4	CARRIAGE BOLT, 5/16-18 x 1, FT, ZC
13	MGMUP039	1	STOR BRACKET-60IN DISHCARGE FLAP
14	MGMUP042	1	MOUNT STOR BRACKET-60IN DISCHARGE
15	MGUPN059	1	FLAP CLAMP FLAP-DISCHARGE-60IN EZTR

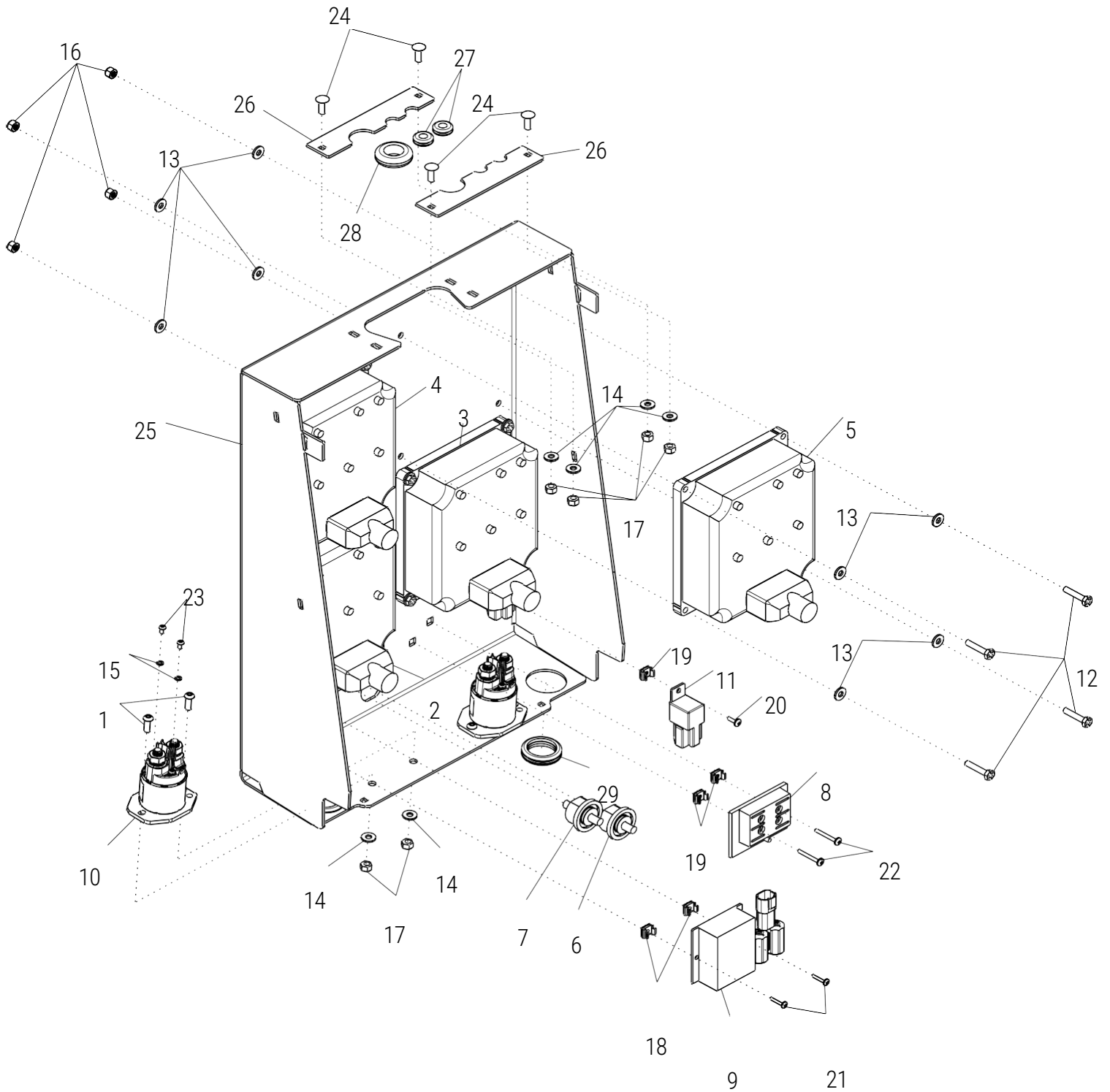
PLATFORM ASSEMBLY



PLATFORM ASSEMBLY

ITEM	PART#	QTY.	DESCRIPTION
1	AMGSS012	1	WDMT-PLATFORM-FURY
2	MGHDW411	4	SPACERS, 3/4 ID x 1/2 L, GRY,
3	MGUPN495	2	PLASTIC FOOT PAD SPANNER

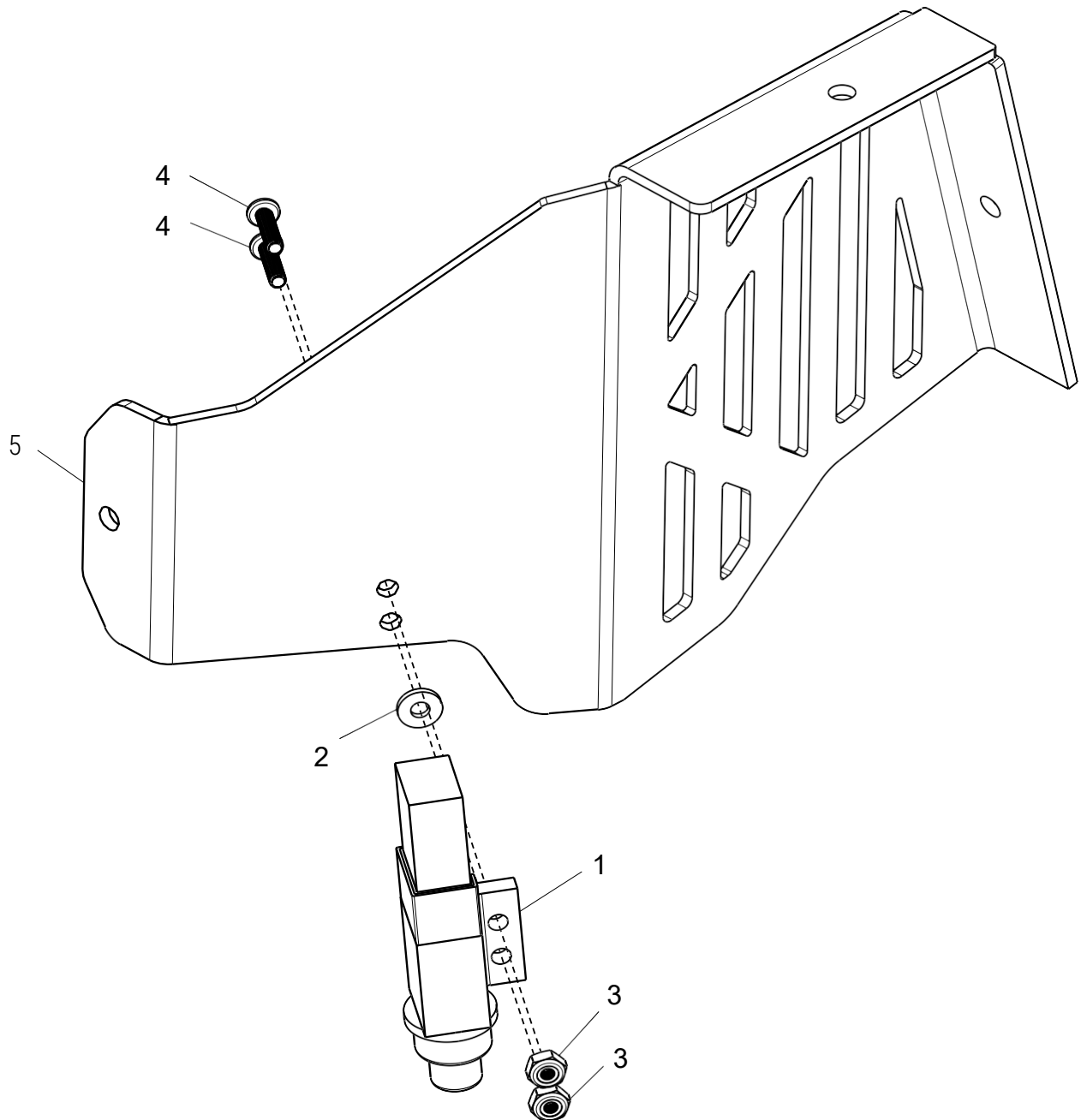
ELECTRONICS COMPARTMENT



ELECTRONICS COMPARTMENT

ITEM	PART#	QTY.	DESCRIPTION
1	MGHDW605	4	SCS, 1/4-20 x 3/4, BHSCS, S/S 18-8
2	A0004174180	1	FURY DRIVE CTRL LH
3	A0004174181	1	FURY DRIVE CTRL RH
4	A0004174182	1	FURY BLADE MOTOR CTRL LH
5	A0004174183	1	FURY BLADE MOTOR CTRL RH
6	MGELC036	1	BATTERY FEEDER STUD, RED, 6-36 V 150 A
7	MGELC037	1	BATTERY FEEDER STUD, BLK, 6-36V 150 A
8	MGELC040	1	ATC FUSE PANEL
9	MGELC047-ASSY	1	12V CONVERTER w/ DEUTSCH ASSY
10	MGELC105	2	CONTACTORS 48V - 300A
11	MGELC113	2	48V 40A RELAY
12	MGHDW103	16	HCS, 1/4-20x1-1/4, PT, YZ
13	MGHDW184	8	HCS, M6-1.0 x 20MM, FT, Z
14	MGHDW200	32	WASHER, 1/4 SAE FLAT, YZ
15	MGHDW200-1	8	WASHER, 1/4 SAE, FLAT, Z
16	MGHDW220-1	4	WASHER, M4, LW, Z
17	MGHDW303	16	NUT, 1/4-20, NYLOCK, YZ
18	MGHDW303-1	8	NUT, 1/4-20, NYLOCK, Z
19	MGHDW309	2	NUT, #8-32, CAGE NUT, Z
20	MGHDW312	4	NUT, #10-32, CAGE NUT, Z
21	MGHDW500	2	MS, #10-32 x 1/2, PPH, Z
22	MGHDW502	2	MS, #8-32 x 3/4, PPH
23	MGHDW504	2	MS, #10-32 x 1-1/4, PPH
24	MGHDW629	4	M4-0.7 X 8mm BHSCS
25	MGHDW700	4	CARRIAGE BOLT, 1/4-20 x 3/4, FT, Z
26	MGSSO009	1	SSO ELC COMPARTMENT
27	MGSSO073	2	SSO HARNESS THROUGH PLATE
28	MGUPN039	2	RUBBER GROMMET-5/8
29	MGUPN405	1	GROMMET-1.25" HOLE x 7/8" ID x 1/8" THK
30	MGUPN467	2	GROMMET-1.5 HOLE X 1.25 ID X 0.125 THK

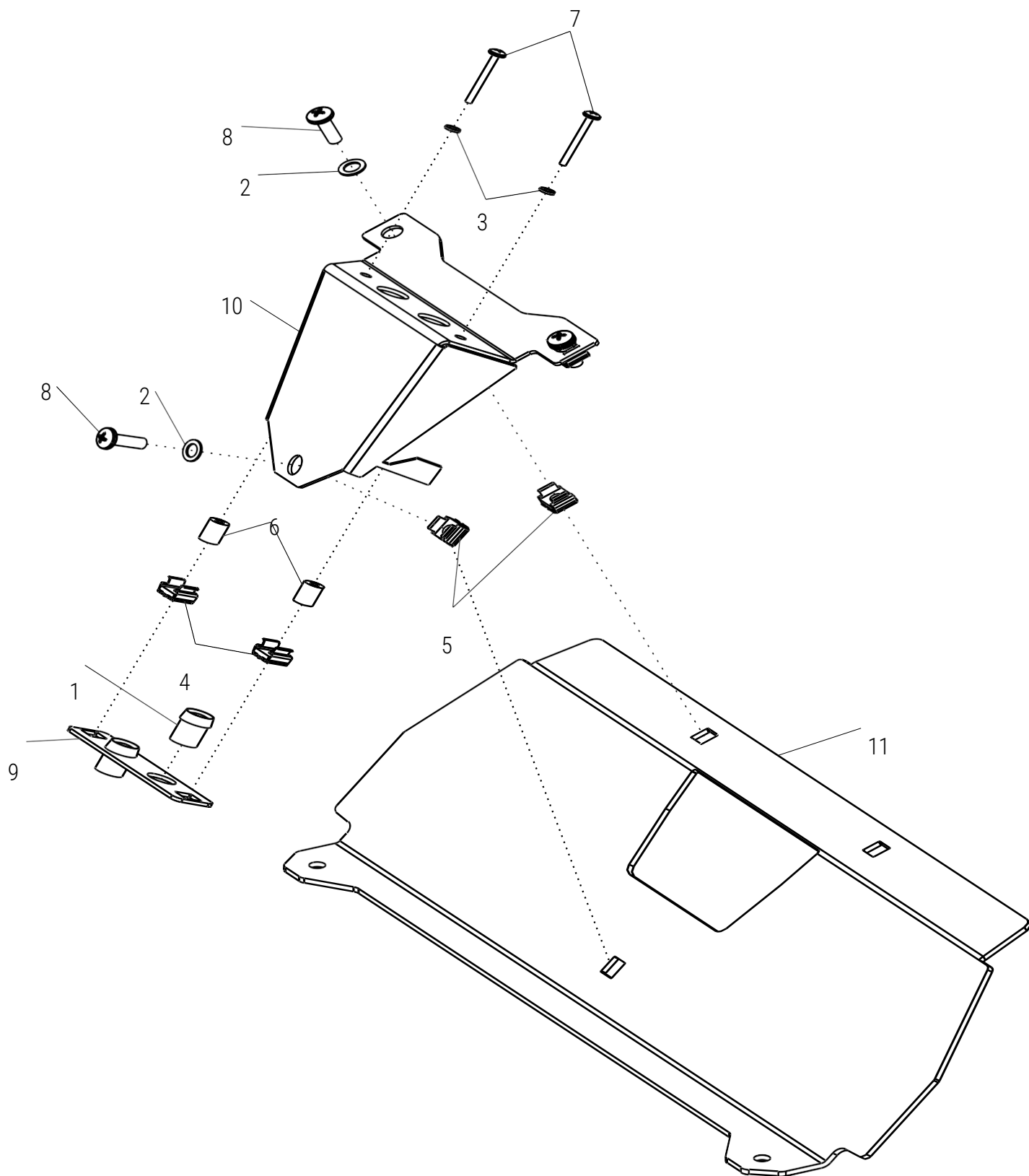
PLATFORM SAFETY SWITCH ASSEMBLY



PLATFORM SAFETY SWITCH ASSEMBLY

ITEM	PART#	QTY.	DESCRIPTION
1	MGELC106-1	1	PLUNGER SWITCH, RIGHT ANGLE
2	MGHDW218	1	WASHER, #8 SAE, FLAT, Z
3	MGHDW340-1	2	NUT, #8-32 HNL, ZP
4	MGHDW518	2	#8-32 PHP, ZP
5	MGSS0062	1	SSO AIR VENT BOX

LIGHT POD ASSEMBLY

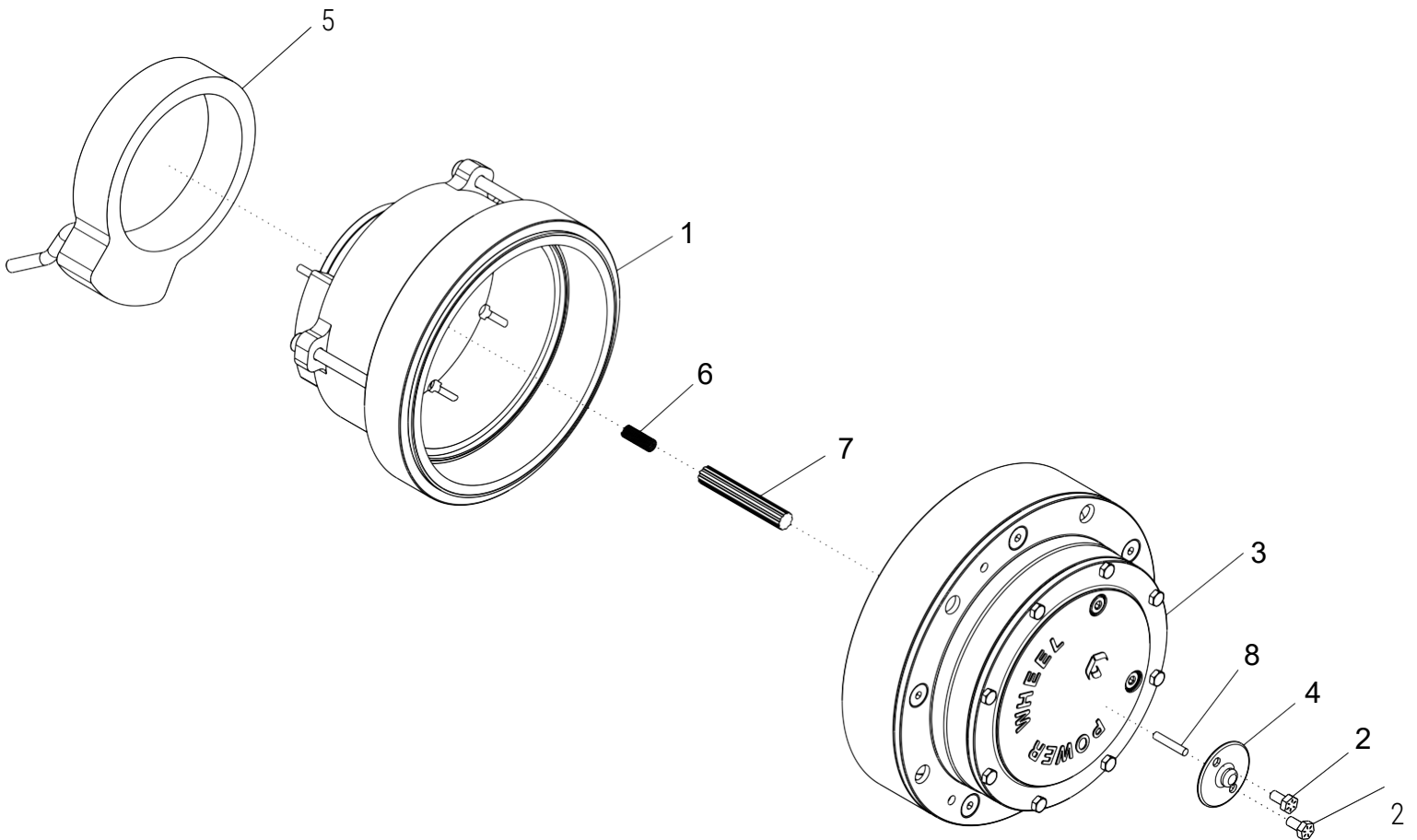


LIGHT POD ASSEMBLY

ITEM	PART#	QTY.	DESCRIPTION
1	MGELC031	2	LED LIGHT POD
2	MGHDW205	3	WASHER, 1/4 ID x 1/2 OD x 1/16 THK, NYLON
3	MGHDW206	2	WASHER, #8 MED SPLIT, LOCK, Z
4	MGHDW309	2	NUT, #8-32, CAGE NUT, Z
5	MGHDW315	3	NUT, 1/4"-20, CAGE NUT, Z
6	MGHDW401	2	#8X1/2 NYLON SPACER
7	MGHDW501-1	2	MS, #8-32 x 1-1/4, PPH
8	MGHDW507	3	MS, 1/4-20 x 3/4, PPH, 18-8 S/S
9	MGSS0051	1	DECK LIGHT MOUNT TAB
10	MGSS0052	1	SSO BLADE LIGHT POD
11	MGSS0057	1	SSO FRONT HOOD

IMPULSE DRIVE ASSEMBLY

AMGUPN57 - FULL DRIVE ASSEMBLY

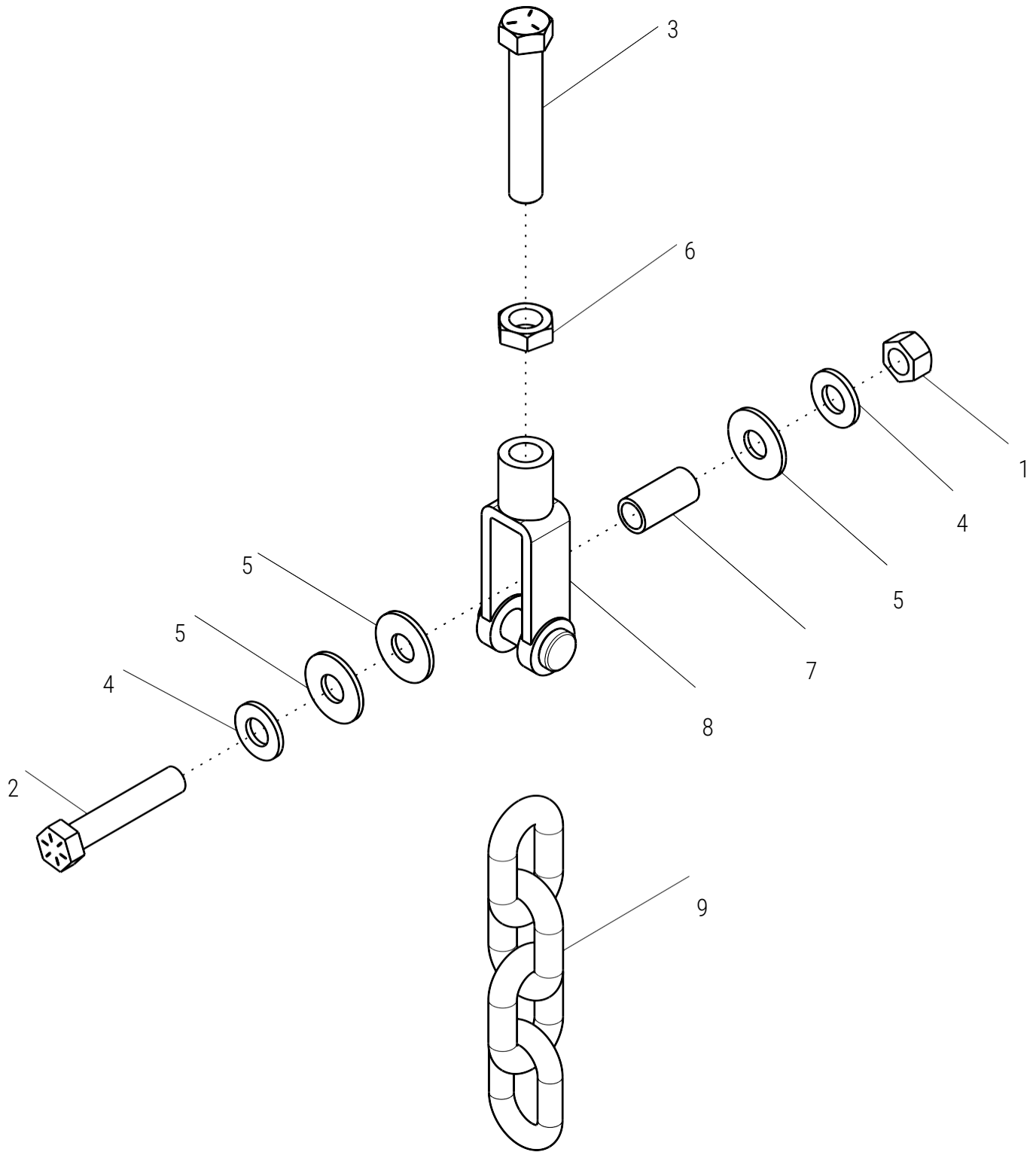


IMPULSE DRIVE ASSEMBLY

AMGUPN57 - FULL DRIVE ASSEMBLY

ITEM	PART#	QTY.	DESCRIPTION
1	MGELC095	1	IMPULSE DRIVE MOTOR
2	MGHDW100	2	HCS , 1/4-20 x 1/2, FT, YZ
3	MGUPN363	1	IMPULSE DRIVE GEARBOX
4	MGUPN402	1	IMPULSE BRAKE DISENGAGE PLATE
5	MGUPN426	1	IMPULSE DRIVE BRAKE
6	MGUPN426-1	1	IMPULSE DRIVE BRAKE SPRING
7	MGUPN426-2	1	IMPULSE DRIVE BRAKE SHAFT
8	MGUPN426-3	1	IMPULSE GEARBOX DISENGAGE PIN

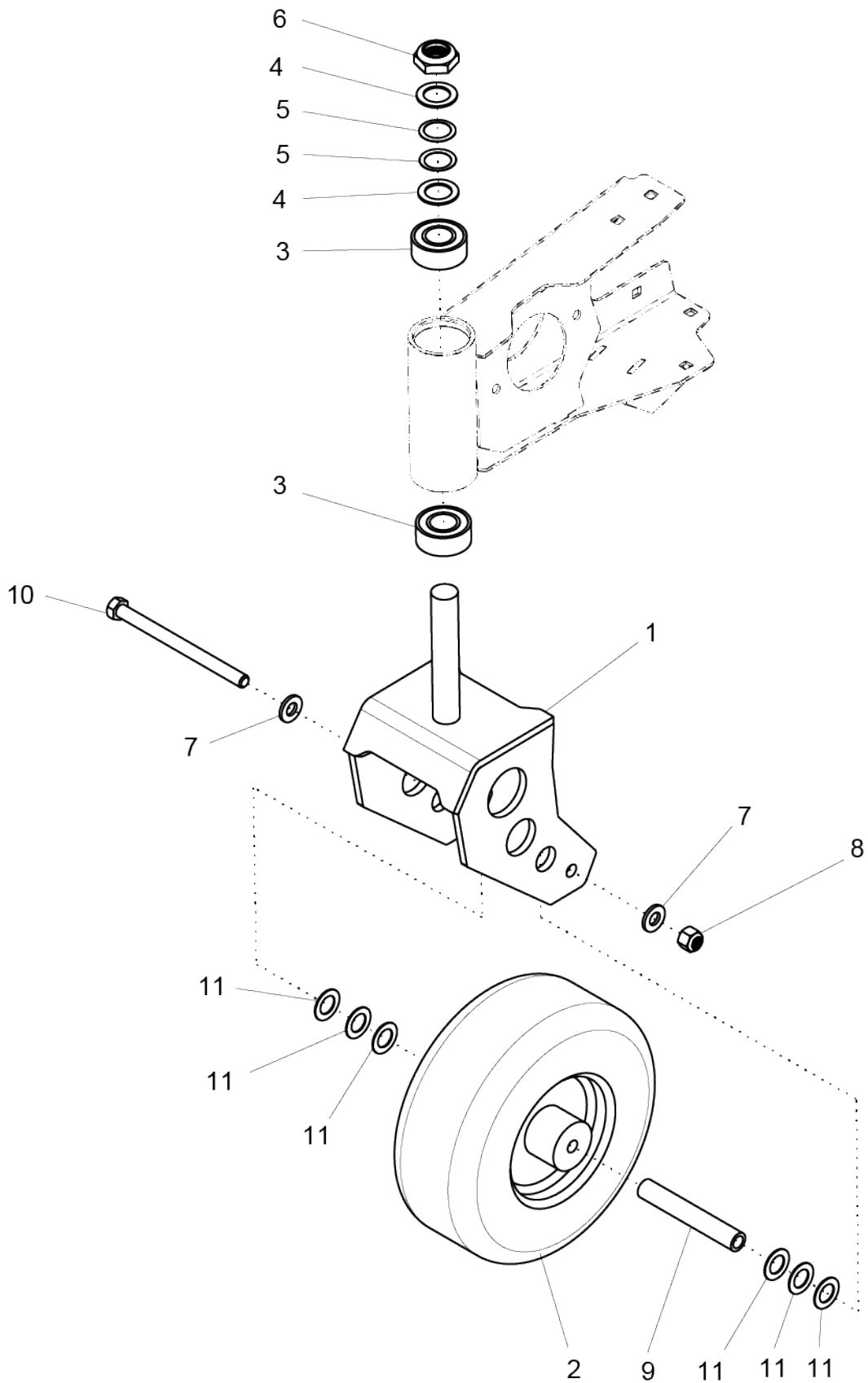
DECK CHAIN ASSEMBLY



DECK CHAIN ASSEMBLY

ITEM	PART#	QTY.	DESCRIPTION
1	MGHDW305	1	NUT, 3/8-16, NYLOCK, YZ
2	MGHDW125	1	HCS, 3/8-16 x 2, PT, YZ
3	MGHDW170	1	HCS, 7/16-20 x 2, FT, YZ
4	MGHDW202	2	WASHER, 3/8 SAE, FLAT, YZ
5	MGHDW203	3	WASHER, 3/8 ID x 1 OD x 1/16 THK, NYLON
6	MGHDW326	1	NUT, 7/16-20, JAM NUT, YZ
7	MGHDW403	1	SPACERS, 3/8 ID x 1/2 OD x 1 L, Z
8	MGUPN123	1	7/16"-20 THREAD, 2-7/8" SHANK CENTER LENGTH
9	MGUPN130-4	1	5/16 GRADE 30-4 LINK

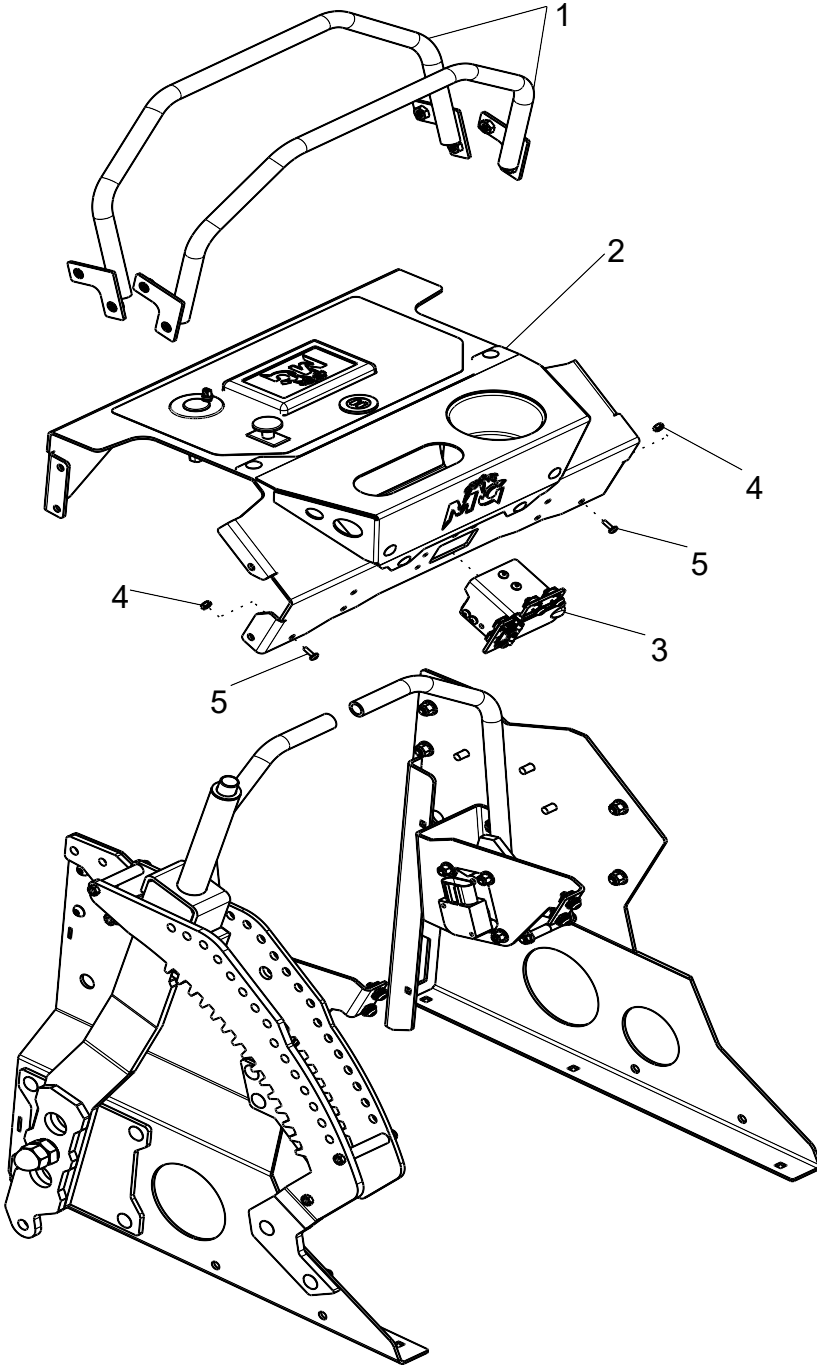
FRONT SPINDLE ASSEMBLY



FRONT SPINDLE ASSEMBLY

ITEM	PART#	QTY.	DESCRIPTION
1	AMGSS006	1	WDMT-FURY-FRONT YOKE
2	MGUPN217	1	WHEEL NO FLAT 11"x4" 5-3.25
3	MGUPN386	2	1" SPINDLE BEARING
4	MGHDW228	3	1 ID X 1.5 OD X 14GA-SHIM
5	MGHDW229	2	WASHER, 1 ID x 1-1/2 OD SPRING, Z
6	MGHDW313	1	NUT, 1-8, HALF NYLOCK, Z
7	MGHDW210	2	WASHER, 1/2 SAE, FLAT, YZ
8	MGHDW320	1	NUT, 1/2-13, NYLOCK, YZ
9	MGUPN226	1	SPANNER-3/4 O.D. x 1/2 I.D. x 6.875 LG
10	MGHDW174	1	HCS, 1/2-13 x 6-1/2, PT, YZ
11	MGHDW237-1	6	WASHER, 3/4 18GA, MB, PLAIN

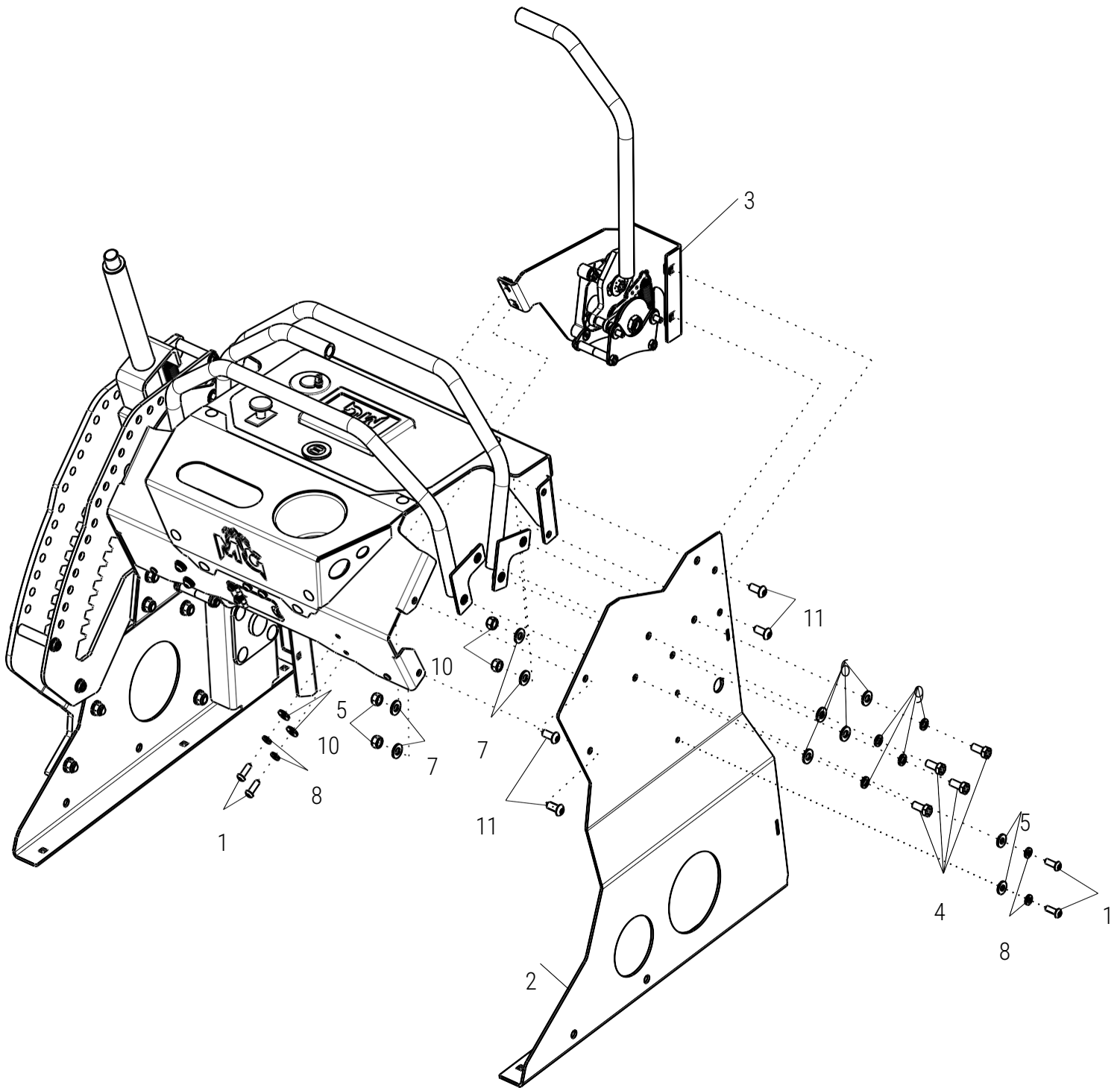
TOWER ASSEMBLY



TOWER ASSEMBLY

ITEM	PART#	QTY.	DESCRIPTION
1	AMGSS013	2	WDMT-FIXED HANDLEBAR-FURY
2	AMGSS023	1	ASSY-CTRL PANEL-FURY
3	AMGUPN80	1	ASSEMBLY-CHARGE PORT-SB120
4	MGHDW311	2	NUT, #10-32, HALF NYLOCK, Z
5	MGHDW500	2	MS, #10-32 x 1/2, PPH, Z

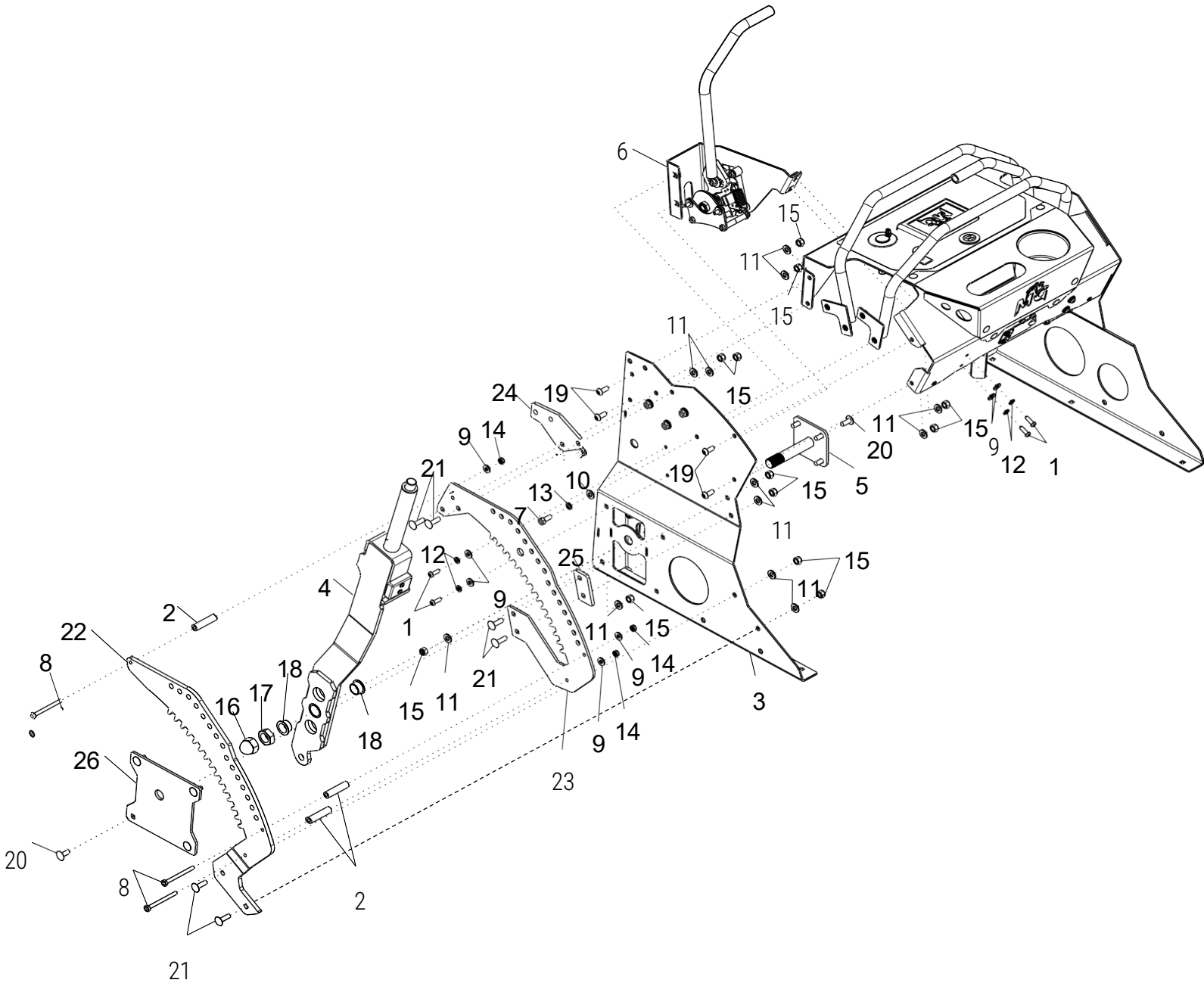
TOWER ASSEMBLY CONT'D



TOWER ASSEMBLY CONT'D

ITEM	PART#	QTY.	DESCRIPTION
1	MGHDW605	4	SCS, 1/4-20 x 3/4, BHSCS, S/S 18-8
2	AMGSS002	1	WDMT-FURY TOWER-LH
3	AMGSS021	1	ASSY-CTRL FURY LH
4	MGHDW109	4	HCS, 5/16-18 x 3/4, FT, YZ
5	MGHDW200-1	4	WASHER, 1/4 SAE, FLAT, Z
6	MGHDW201	4	WASHER, 5/16 SAE, FLAT, YZ
7	MGHDW201-1	4	WASHER, 5/16 SAE, FLAT, Z
8	MGHDW213-1	4	WASHER, 1/4 MED SPLIT, LOCK, Z
9	MGHDW217	4	WASHER, 5/16 MED SPLIT, LOCK, YZ
10	MGHDW304-1	4	NUT, 5/16-18, NYLOCK, Z
11	MGHDW616	4	SCS, 5/16-18 x 3/4, BHSCS, S/S 18-8

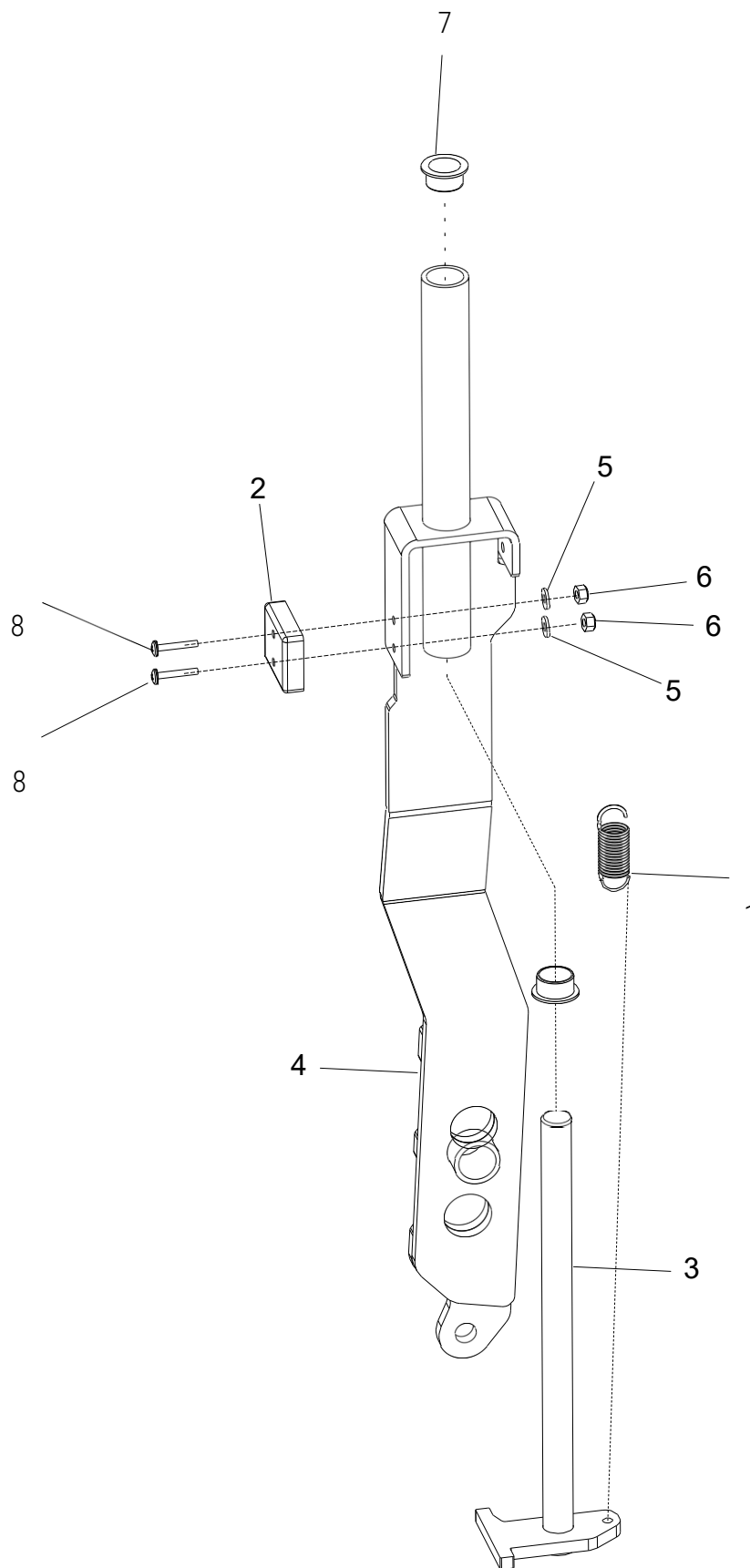
TOWER ASSEMBLY CONT'D



TOWER ASSEMBLY CONT'D

ITEM	PART#	QTY.	DESCRIPTION
1	MGHDW605	4	SCS, 1/4-20 x 3/4, BHSCS, S/S 18-8
2	A0004064401	3	1/4 ID x 1/2 OD x 2 L SLEEVE SPACER
3	AMGSS003	1	WDMT-FURY TOWER-RH
4	AMGSS010	1	ASSY-DECK LIFT LEVER
5	AMGSS016	1	WDMT-LIFT ROD MOUNT-FURY
6	AMGSS018	1	ASSY-CTRL FURY RH
7	MGHDW109	4	HCS, 5/16-18 x 3/4, FT, YZ
8	MGHDW166	3	HCS, 1/4-20 x 2-3/4, PT, YZ
9	MGHDW200-1	7	WASHER, 1/4 SAE, FLAT, Z
10	MGHDW201	4	WASHER, 5/16 SAE, FLAT, YZ
11	MGHDW201-1	18	WASHER, 5/16 SAE, FLAT, Z
12	MGHDW213-1	4	WASHER, 1/4 MED SPLIT, LOCK, Z
13	MGHDW217	4	WASHER, 5/16 MED SPLIT, LOCK, YZ
14	MGHDW301	3	NUT, 1/4-20, HALF NYLOCK, YZ
15	MGHDW304-1	18	NUT, 5/16-18, NYLOCK, Z
16	MGHDW350	1	NUT, 3/4-16, ACORN NUT, Z
17	MGHDW351	1	NUT, 3/4-16 JAM, ZP
18	MGHDW411	2	SPACERS, 3/4 ID x 1/2 L, GRY, PLASTIC
19	MGHDW616	4	SCS, 5/16-18 x 3/4, BHSCS, S/S 18-8
20	MGHDW706	8	CARRIAGE BOLT, 5/16-18 x 3/4, FT, Z
21	MGHDW707	6	CARRIAGE BOLT, 5/16-18 x 1, FT, ZC
22	MGSS0037	1	SSO DECK LIFT LOCK PLATE
23	MGSS0038	1	SSO DECK LIFT LOCK INNER PLATE
24	MGSS0044	1	SSO UPPER TOWER SPACER
25	MGSS0045	1	SSO LOWER TOWER SPACER
26	MGSS0066	1	SSO DECK LIFT PLATE

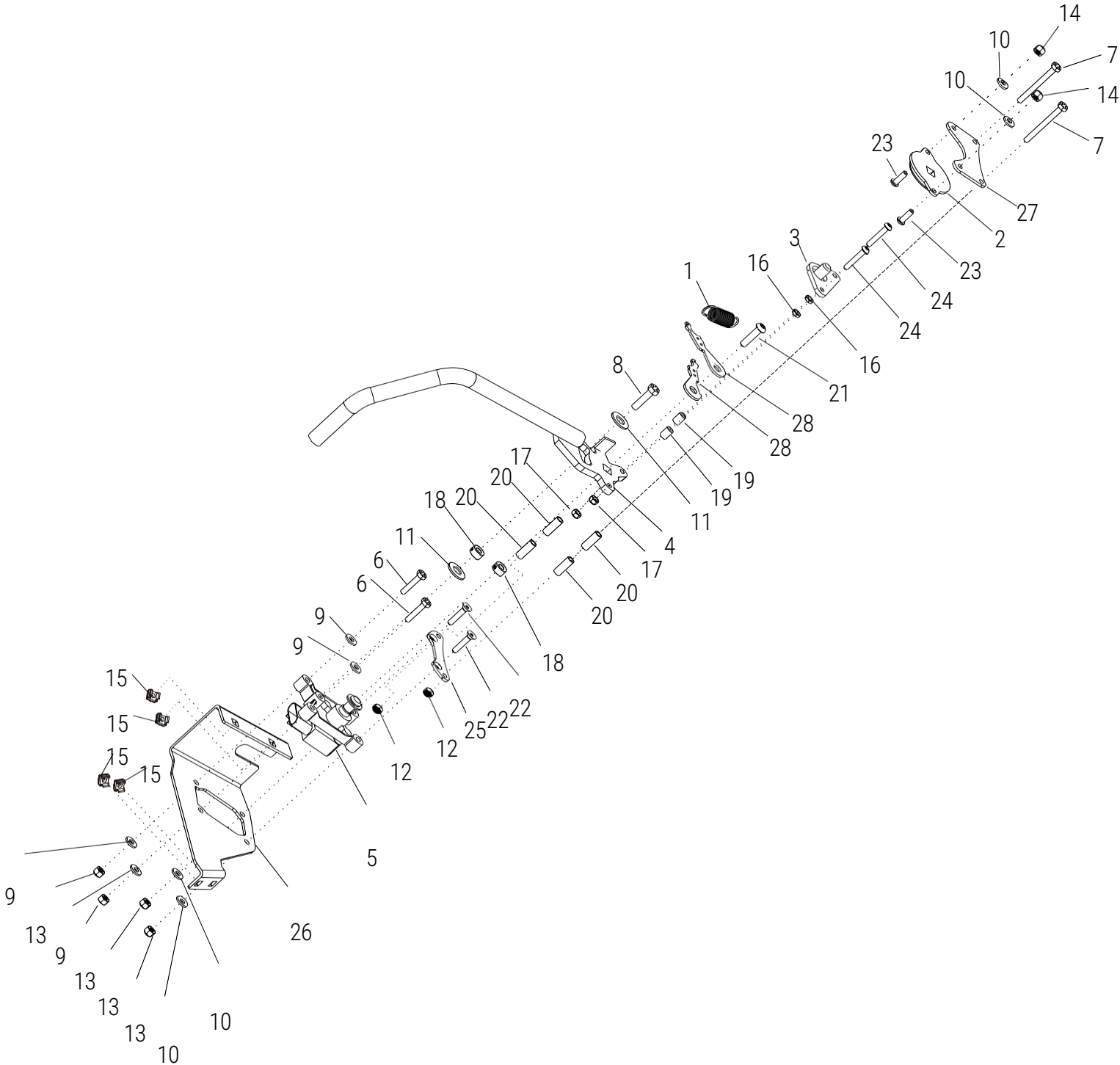
DECK LIFT LEVER ASSEMBLY



DECK LIFT LEVER ASSEMBLY

ITEM	PART#	QTY.	DESCRIPTION
1	A0003952730	1	FURY DECK LIFT BUTTON SPRING
2	A0004007311	1	FURY DECK LIFT GUIDE BLOCK
3	AMGSS011	1	WDMT-DECK LIFT BUTTON
4	AMGSS017	1	WDMT-DECK LIFT LEVER
5	MGHDW207	2	WASHER, #10 SAE, FLAT, Z
6	MGHDW308	2	NUT, #10-32, NYLOCK, Z
7	MGHDW411	2	SPACERS, 3/4 ID x 1/2 L, GRY, PLASTIC
8	MGHDW503	1	MS, #10-32 x 1, PPH, Z

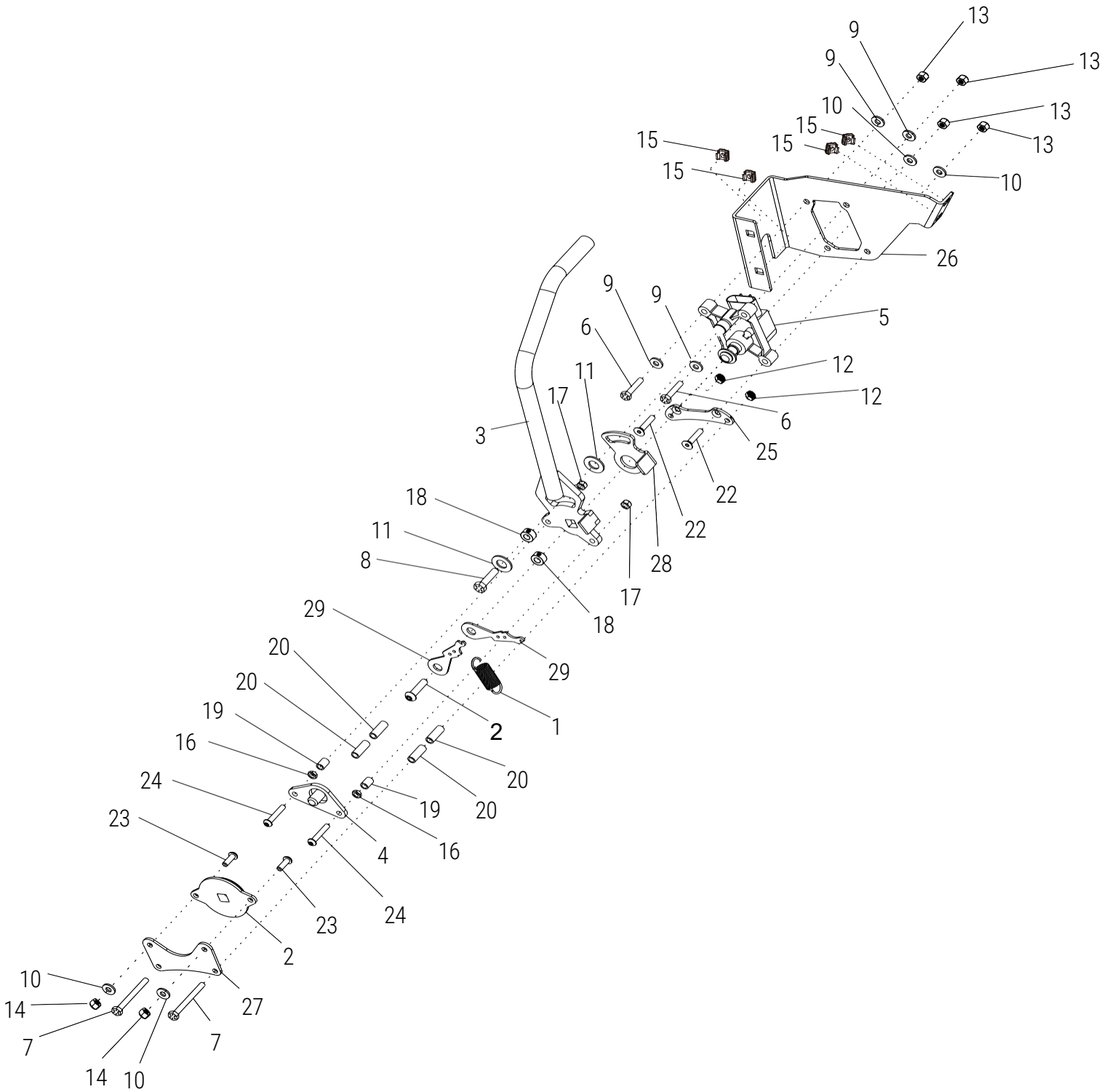
LEFT HAND CONTROL ASSEMBLY



LEFT HAND CONTROL ASSEMBLY

ITEM	PART#	QTY.	DESCRIPTION
1	A0003952735	1	HYDOGEAR RTN SPRING - GOLD 100LB
2	A0003952737	1	ROTARY DAMPENER FDT63A-703
3	AMGSS019	1	WDMT-SPRING PLATE-FURY
4	AMGSS026	1	WDMT-CTRL HANDLBAR-FURY
5	MGELC068	1	RTN-LEFT HAND SIDE
6	MGHDW103	2	HCS, 1/4-20x1-1/4, PT, YZ
7	MGHDW108	2	HCS, 1/4-20 x 2-1/2, PT, YZ
8	MGHDW169	1	HCS, 5/16-24 x 1-1/4, FT, YZ
9	MGHDW200	4	WASHER, 1/4 SAE FLAT, YZ
10	MGHDW200-1	4	WASHER, 1/4 SAE, FLAT, Z
11	MGHDW211	2	WASHER, 1/2 ID x 1 OD x 0.08 THK, NYLON
12	MGHDW301	2	NUT, 1/4-20, HALF NYLOCK, YZ
13	MGHDW303	4	NUT, 1/4-20, NYLOCK, YZ
14	MGHDW303-1	2	NUT, 1/4-20, NYLOCK, Z
15	MGHDW315	4	NUT, 1/4"-20, CAGE NUT, Z
16	MGHDW342-1	2	NUT, M6-1.0, JAM NUT, Z
17	MGHDW342-4	2	NUT, M6-1.0, NYLOCK, Z
18	MGHDW400	2	SPACERS, 5/16 ID x 5/8 OD x 5/16 W, Z
19	MGHDW405	2	SPACERS, 1/4 ID x 3/8 OD x 1/2 L, Z
20	MGHDW406	4	1/4 ID x 3/8 OD x 1 L SLEEVE SPACER SCS,
21	MGHDW600	1	5/16-24 x 1-1/4, BHSCS, Z
22	MGHDW604-1	2	SCS, 1/4-20 x 1 1/4, FHSCS, Z
23	MGHDW605	2	SCS, 1/4-20 x 3/4, BHSCS, S/S 18-8
24	MGHDW622	2	SCS, M6-1.0 x 35MM, BHSCS, Z
25	MGMUP003	1	DAMPER MOUNT BASE
26	MGSS0030-LH	1	SSO RTN MOUNT-LH
27	MGSS0069	1	XL DAMPER PLATE OUTER
28	MGUPN046	2	PLATE-CONTROL SPRING RETURN

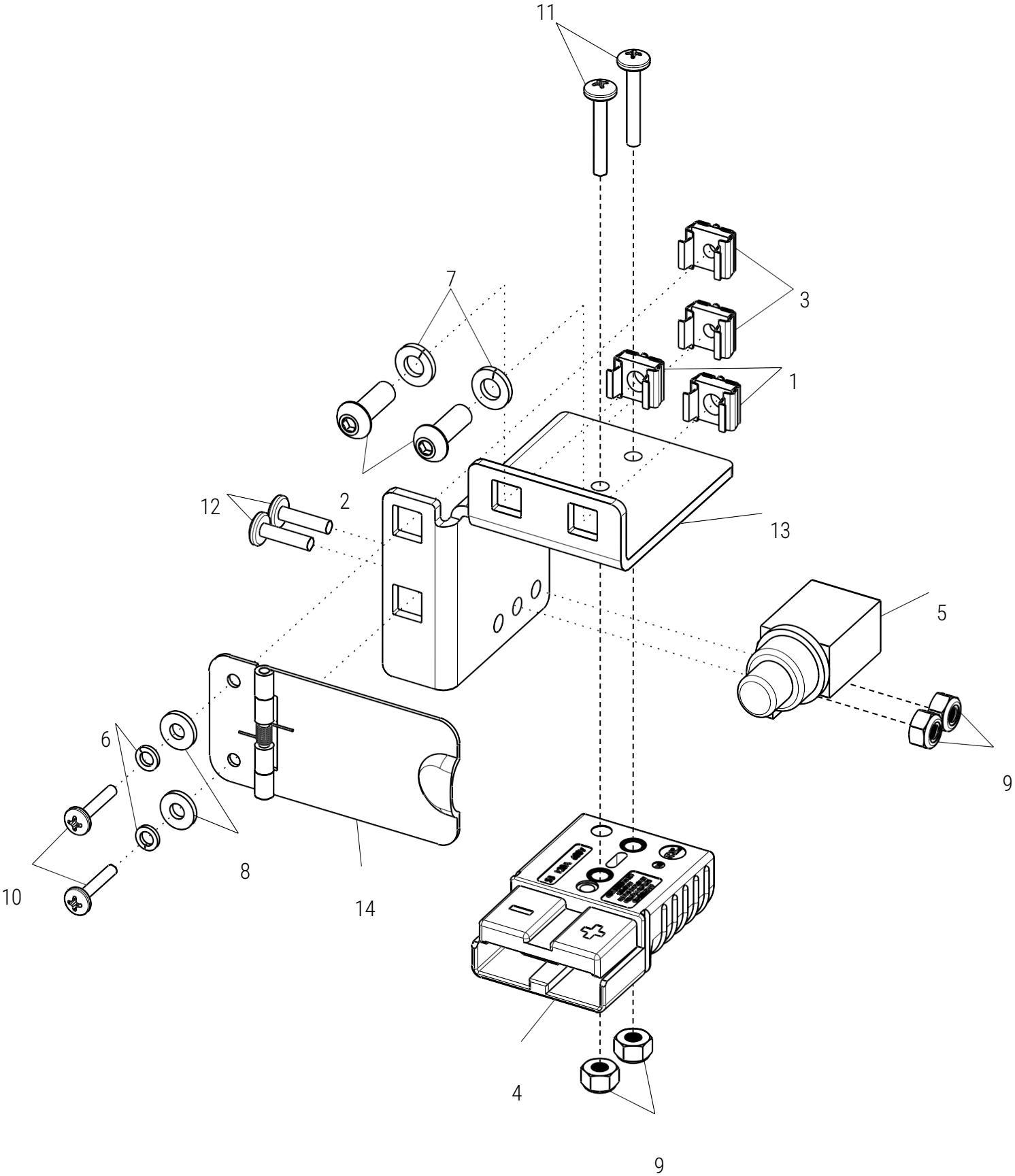
RIGHT HAND CONTROL ASSEMBLY



RIGHT HAND CONTROL ASSEMBLY

ITEM	PART#	QTY.	DESCRIPTION
1	A0003952735	1	HYDOGEAR RTN SPRING - GOLD 100LB
2	A0003952737	1	ROTARY DAMPENER FDT63A-703
3	AMGSS014	1	WDMT-CTRL HANDLBAR-FURY
4	AMGSS019	1	WDMT-SPRING PLATE-FURY
5	MGELC069	1	RTN-RIGHT HAND SIDE
6	MGHDW103	2	HCS, 1/4-20x1-1/4, PT, YZ
7	MGHDW108	2	HCS, 1/4-20 x 2-1/2, PT, YZ
8	MGHDW169	1	HCS, 5/16-24 x 1-1/4, FT, YZ
9	MGHDW200	4	WASHER, 1/4 SAE FLAT, YZ
10	MGHDW200-1	4	WASHER, 1/4 SAE, FLAT, YZ
11	MGHDW211	2	WASHER, 1/2 ID x 1 OD x 0.08 THK, NYLON
12	MGHDW301	2	NUT, 1/4-20, HALF NYLOCK, YZ
13	MGHDW303	4	NUT, 1/4-20, NYLOCK, YZ
14	MGHDW303-1	2	NUT, 1/4-20, NYLOCK, Z
15	MGHDW315	4	NUT, 1/4"-20, CAGE NUT, Z
16	MGHDW342-1	2	NUT, M6-1.0, JAM NUT, Z
17	MGHDW342-4	2	NUT, M6-1.0, NYLOCK, Z
18	MGHDW400	2	SPACERS, 5/16 ID x 5/8 OD x 5/16 W, Z
19	MGHDW405	2	SPACERS, 1/4 ID x 3/8 OD x 1/2 L, Z
20	MGHDW406	4	SPACERS, 1/4 ID x 3/8 OD x 1 L, Z
21	MGHDW600	1	SCS, 5/16-24 x 1-1/4, BHSCS, Z
22	MGHDW604-1	2	SCS, 1/4-20 x 1 1/4, FHSCS, Z
23	MGHDW605	2	SCS, 1/4-20 x 3/4, BHSCS, S/S 18-8
24	MGHDW622	2	SCS, M6-1.0 x 35MM, BHSCS, Z
25	MGMUP003	1	DAMPER MOUNT BASE
26	MGSSO030	1	SSO RTN MOUNT-RH
27	MGSSO069	1	XL DAMPER PLATE OUTER
28	MGSSO070	1	XL SPRING PLATE
29	MGUPN046	2	PLATE-CONTROL SPRING RETURN

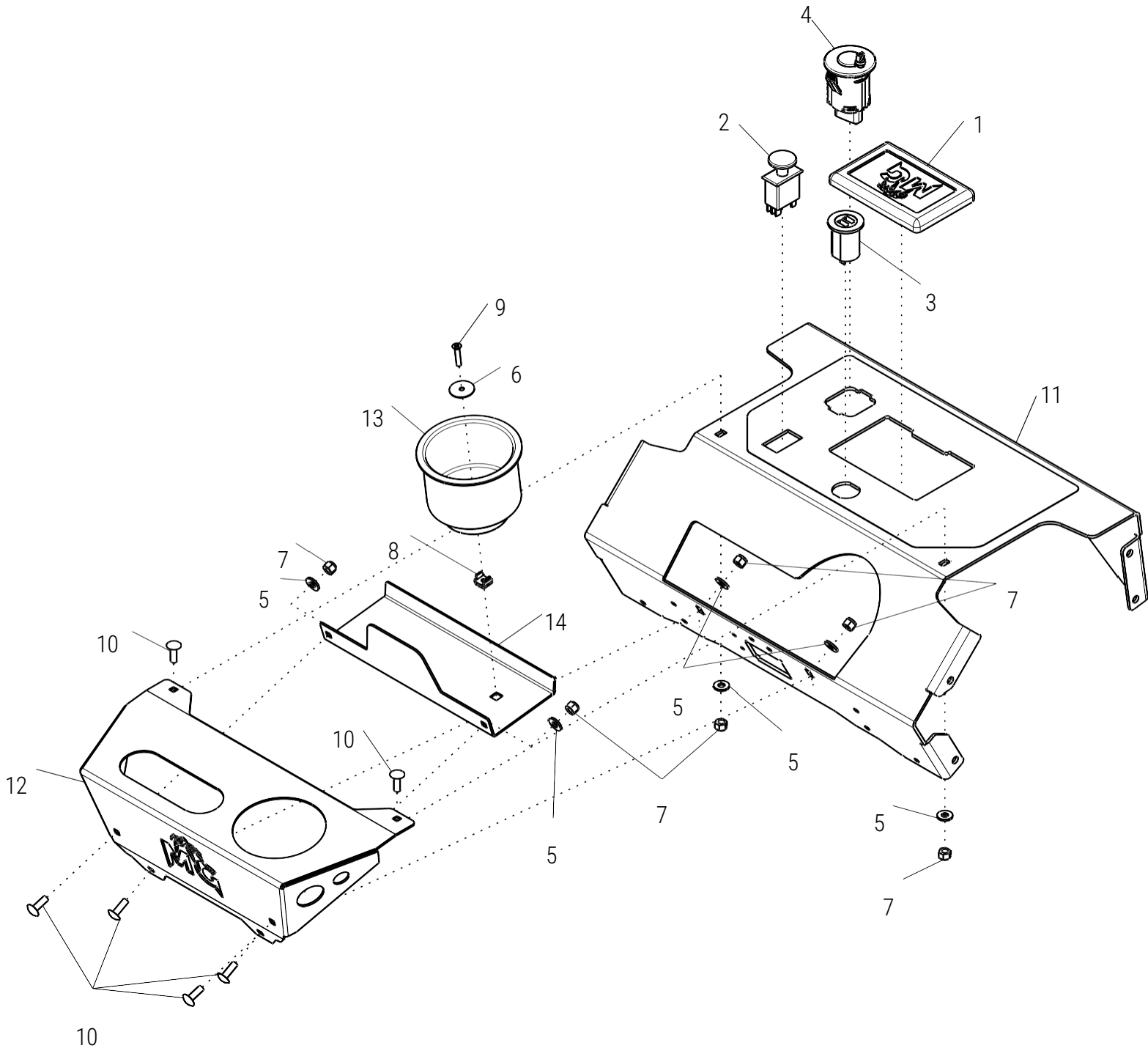
CHARGE PORT ASSEMBLY



CHARGE PORT ASSEMBLY

ITEM	PART#	QTY.	DESCRIPTION
1	MGHDW315	2	NUT, 1/4"-20, CAGE NUT, Z
2	MGHDW605	2	SCS, 1/4-20 x 3/4, BHSCS, S/S 18-8
3	MGHDW309	2	NUT, #8-32, CAGE NUT, Z
4	MGELC032	1	ANDERSON CONNECTOR-SB120
5	MGELC061	1	RIGHT ANGLE PLUNGER SWITCH (NC/NC) SEALED
6	MGHDW206	2	WASHER, #8 MED SPLIT, LOCK, Z
7	MGHDW213	2	WASHER, 1/4 MED SPLIT, LOCK, YZ
8	MGHDW218	2	WASHER, #8 SAE, FLAT, Z
9	MGHDW308	4	NUT, #10-32, NYLOCK, Z
10	MGHDW502	2	MS, #8-32 x 3/4, PPH
11	MGHDW503	2	MS, #10-32 x 1, PPH, Z
12	MGHDW506	2	MS, #10-32 x 5/8, PPH, Z
13	MGMUP024	1	CHARGING PORT BRACKET
14	MGUPN034	1	DOOR CHARGE PORT SPRING LOADED HINGE

CONTROL PANEL ASSEMBLY



CONTROL PANEL ASSEMBLY

ITEM	PART#	QTY.	DESCRIPTION
1	A0003243669	1	SSO TOUCHSCREEN DISPLAY
2	MGELC009	1	PTO SWITCH
3	MGELC038	1	PLUG-DUAL USB PORTS
4	MGELC116	1	PUSH BUTTON ON/OFF
5	MGHDW200-1	6	WASHER, 1/4 SAE, FLAT, Z
6	MGHDW207-2	1	WASHER, #10 FENDER
7	MGHDW303-1	6	NUT, 1/4-20, NYLOCK, Z
8	MGHDW312	1	NUT, #10-32, CAGE NUT, Z
9	MGHDW512	1	MS, #10-32 x 1, PFH, 18-8 S/S
10	MGHDW700	6	CARRIAGE BOLT, 1/4-20 x 3/4, FT, Z
11	MGSS0012	1	SSO CONTROL PANEL
12	MGSS0049	1	TOWER ACCESSORY PANEL
13	MGUPN043	1	CUP HOLDER
14	MGVQS069	1	TOWER ACCESSORY LOWER BENT TAB

SERVICE PARTS

ITEM	PART#	DESCRIPTION
1	A0003243669	SSO TOUCHSCREEN DISPLAY
2	MGELC009	PTO SWITCH
3	MGELC038	PLUG-DUAL USB PORTS
4	MGELC116	PUSH BUTTON ON/OFF
5	MGELC116-1	POWER PULL (KEY) FOB FOR PBS
6	A0003952730	FURY DECK LIFT BUTTON SPRING
7	A0004007311	FURY DECK LIFT GUIDE BLOCK
8	A0003243685	SSO DECK LIFT TIE ROD
9	A0003952725	FURY DECK HEIGHT PIN
10	MGUPN124	STABILIZER ARM-13-5/8
11	MGUPN125	STABILIZER ARM-22"
12	AMGUPN83	ASSY-DECK CHAIN-4 LINK
13	MGELC209	FUR DECK WIRES #3
14*	MGELC210	FUR DECK WIRES #4
15	MGUPN001	BLADE MOTOR ADAPTER
16	MGUPN103	18.00" RH BLADE 0.187" THK
17	MGUPN099	16.25" RH BLADE 0.187" THK
18	A0004174180	FURY DRIVE CTRL LH
19	A0004174181	FURY DRIVE CTRL RH
20	A0004174182	FURY BLADE MOTOR CTRL LH
21	A0004174183	FURY BLADE MOTOR CTRL RH
22	MGELC047-ASSY-SRV	12V CONVERTER W/ DEUTSCH ASSY-SRV
23	MGELC115	ON/OFF LOCKING BATT SWITCH
24	MGELC031	LED BLADE LIGHT
25	MGELC106-1	RIGHT ANGLE PLUNGER SWITCH (NO/NC)
26	MGSRV-RTN-FURY-RH	ASSY-RTN-FURY-RH-SRV KIT
27	MGELC069	RTN-RIGHT HAND SIDE
28	MGSRV-RTN-FURY-LH	ASSY-RTN-FURY-LH-SRV KIT
29	MGELC068	RTN-LEFT HAND SIDE
30	A0003952735	HYDOGEAR RTN SPRING - GOLD 100LB
31*	A0003952737	ROTARY DAMPENER FDT63A-703
32	MGUPN090	MACHINE SPINDLE CAP (FLAT TOP)
33	MGUPN217	WHEEL NO FLAT 11"x4" 5-3.25
34	A0003243673	20 X 6.50-12 TIRE AND WHEEL ASSEMBLY
35	A0003243672	20 X 8.50-12 TIRE AND WHEEL ASSEMBLY
36	AMGUPN57	IMPULSE DRIVE ASSEMBLY
37	MGELC095	IMPULSE DRIVE MOTOR
38	MGUPN363	IMPULSE DRIVE GEARBOX
39	A0005188024	48V 11kWh 222 AH BATTERY
40	A0003243684	SSO CHASSIS DECAL KIT
41	A0003952731	36" DECK DECAL KIT
42*	A0003952732	32" DECK DECAL KIT

Items 14, 31, and 42 are for the 32 inch deck version of the FURY only